



U.S. Department
of Transportation
**Pipeline and
Hazardous Materials
Safety Administration**

**IAEA CERTIFICATE OF COMPETENT AUTHORITY
SPECIAL FORM RADIOACTIVE MATERIALS
CERTIFICATE USA/0087/S-96, REVISION 7**

East Building, PHH-23
1200 New Jersey Avenue Southeast
Washington, D.C. 20590

This certifies that the source described has been demonstrated to meet the regulatory requirements for special form radioactive material as prescribed in the regulations of the International Atomic Energy Agency¹ and the United States of America² for the transport of radioactive material.

1. Source Identification - Dresser Atlas Model No. DA-5.
2. Source Description - Cylindrical double encapsulation made of stainless steel and heliarc welded. Approximate outer dimensions are 21.8 mm (0.86 in.) in diameter and 63.5 mm (2.5 in.) in length. Minimum wall thickness of the outer encapsulation is 2.98 mm (0.12 in.). Construction shall be in accordance with attached Dresser Atlas Drawing No. A-64812-A.
3. Radioactive Contents - No more than 185.0 GBq (5.0 Ci) of Americium-241. The Am-241 is in solid oxide form and mixed with a beryllium powder and pressed into a pellet.
4. Quality Assurance - Records of Quality Assurance activities required by Paragraph 310 of the IAEA regulations¹ shall be maintained and made available to the authorized officials for at least three years after the last shipment authorized by this certificate. Consignors in the United States exporting shipments under this certificate shall satisfy the applicable requirements of Subpart H of 10 CFR 71.
5. Expiration Date - This certificate expires on November 30, 2018.

¹ "Regulations for the Safe Transport of Radioactive Material, 1996 Edition (Revised), No. TS-R-1 (ST-1, Revised)," published by the International Atomic Energy Agency(IAEA), Vienna, Austria.

² Title 49, Code of Federal Regulations, Parts 100-199, United States of America.

CERTIFICATE USA/0087/S-96, REVISION 7

This certificate is issued in accordance with paragraph 804 of the IAEA Regulations and Section 173.476 of Title 49 of the Code of Federal Regulations, in response to the October 29, 2013 petition by Baker Hughes Oilfield Operations, Inc., Houston, TX, and in consideration of other information on file in this Office.

Certified By:



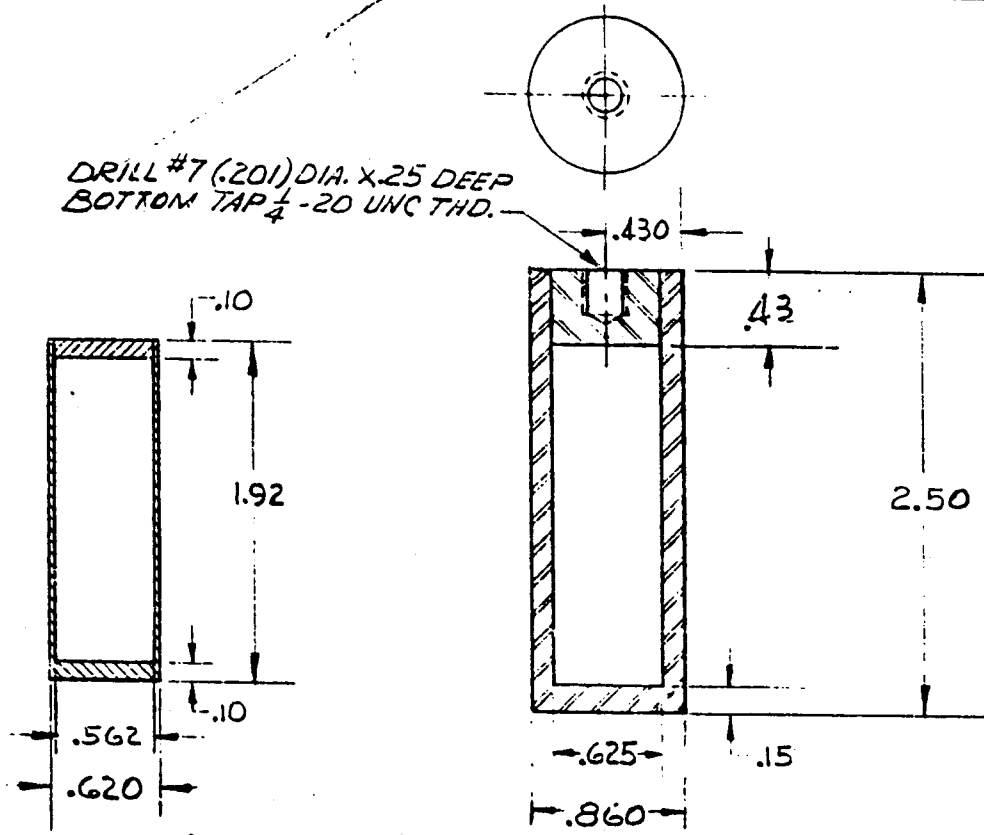
Dr. Magdy El-Sibaie
Associate Administrator for Hazardous Materials Safety

Nov 22 2013
(DATE)

Revision 7 - Issued to extend the expiration date.

A-64812

DRILL #7 (.201) DIA. X .25 DEEP
 BOTTOM TAP 1/4 - 20 UNC THD.



NOTES:

1. Inner Container To Be Stainless Steel.
2. Outer Container To Be Stainless Steel.
3. Both Containers To Be Welded In Accordance With AEC Specifications.
4. Minimum Neutron Output To Be 1×10^7 N/Sec.

SEP 10 1982

A	RELEASED	JSW	9-7-67	19-67
REV.	FROM	BY	CHK.	DATE

CONFIDENTIAL

RELEASED TO AND ACCEPTED BY THE POSSESSOR ON CONDITION THAT NO RIGHTS OF REPRODUCTION OR USE ARE GIVEN EXCEPT FOR PURPOSES ELSEWHERE SPECIFIED IN WRITING BY LANE-WELLS COMPANY

DO NOT SCALE PRINTS
 REMOVE BURRS AND SHARP EDGES
 LIMITS UNLESS OTHERWISE SPECIFIED
 .000 ± .005
 .00 ± .01
 .0 ± .05
 ANGLES ± 1/2 DEG.
 FINISHES 125 AA MAX.

SCALE FULL

HEAT TREAT NONE

MATERIAL NOTED

AMERICIUM-BERYLLIUM
 NEUTRON SOURCE
 .860 D
 FOR RIA LOGGING & R/L

ITEM ON NEXT ASSY.

USED ON SERIES	DATE 1-7-65
	BY QWCK
	CHK. JRM
	ENGR. AEC
FILE	APR. 21 1967

Dresser Atlas
 DIVISION OF DRESSER INDUSTRIES, INC.

A-64812 - A



U.S. Department
of Transportation

East Building, PHH-23
1200 New Jersey Avenue SE
Washington, D.C. 20590

**Pipeline and
Hazardous Materials
Safety Administration**

CERTIFICATE NUMBER: USA/0087/S-96, Revision 7

ORIGINAL REGISTRANT(S):

Mr. James K. Elrod
Radiation Safety Officer
Baker Hughes Oilfield Operations, Inc.
Houston Technology Center
2001 Rankin Road
Houston, TX 77373

Mr. David E. Huber
Radiation Safety Officer
Baker Hughes Oilfield Operations, Inc.
2001 Rankin Road
Houston, TX 77373

Mr. Dylan Dailey
Radiation Safety Officer
Baker Hughes Oilfield Operations, Inc.
2001 Rankin Road
Houston, TX 77373

Mr. Philip Simpkin
Radiation Safety Officer
Baker Hughes Oilfield Operations, Inc.
2001 Rankin Road
Houston, TX 77373