



U.S. Department
of Transportation

Pipeline and
Hazardous Materials
Safety Administration

East Building, PHH-23
1200 New Jersey Ave, SE
Washington, D.C. 20590

IAEA CERTIFICATE OF COMPETENT AUTHORITY
SPECIAL FORM RADIOACTIVE MATERIALS

CERTIFICATE USA/0352/S-96, REVISION 8

This certifies that the source described has been demonstrated to meet the regulatory requirements for special form radioactive material as prescribed in the regulations of the International Atomic Energy Agency¹ and the United States of America² for the transport of radioactive material.

1. Source Identification - Eckert & Ziegler Isotope Products (EZIP) Model AN 241 (formerly 295).
2. Source Description - Annular welded single encapsulation made of Type 304 or 304L stainless steel. Approximate outer dimensions are 29.97 mm (1.18 in.) in outside diameter, 18.8 mm (0.74 in.) in inside diameter and 2.67 mm (0.105 in.) in thickness. Construction shall be in accordance with attached Isotope Products Laboratories Drawing No. 4004, Sheet 1 of 1.
3. Radioactive Contents - No more than 5.55 GBq (0.15 Ci) of Americium-241. The Am-241 is in the form of an oxide in a ceramic.
4. Management System Activities - Records of Management System activities required by Paragraph 306 of the IAEA regulations shall be maintained and made available to the authorized officials for at least three years after the last shipment authorized by this certificate. Consignors in the United States exporting shipments under this certificate shall satisfy the requirements of Subpart H of 10 CFR 71.
5. Expiration Date - This certificate expires on January 31, 2025. Previous editions which have not reached their expiration date may continue to be used.

¹ "Regulations for the Safe Transport of Radioactive Material, 2012 Edition, No. SSR-6" published by the International Atomic Energy Agency (IAEA), Vienna, Austria.

² Title 49, Code of Federal Regulations, Parts 100-199, United States of America.

CERTIFICATE USA/0352/S-96, REVISION 8


This certificate is issued in accordance with paragraph(s) 804 of the IAEA Regulations and Section 173.476 of Title 49 of the Code of Federal Regulations, in response to the December 24, 2019 petition by Eckert & Ziegler Isotope Products, Valencia, CA, and in consideration of other information on file in this Office.

Certified By:

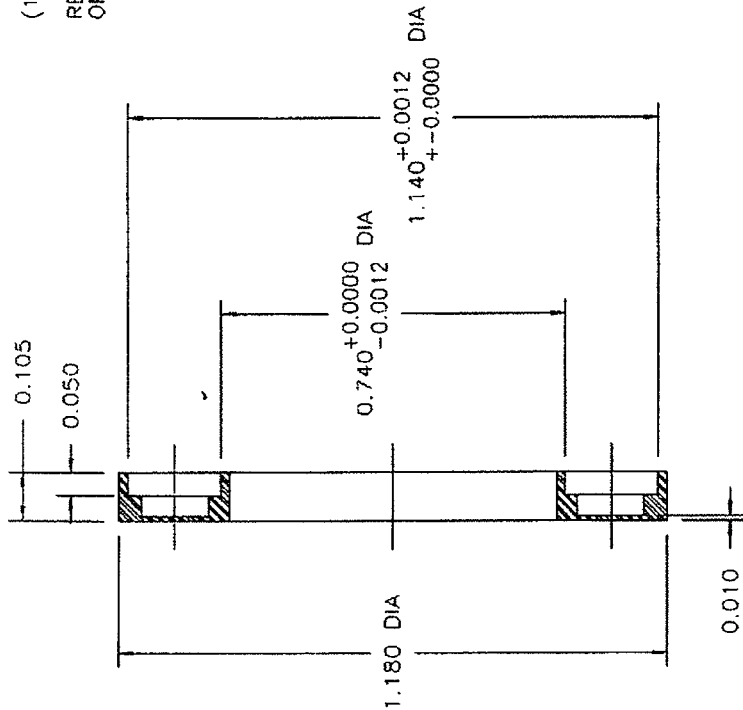


February 03, 2020

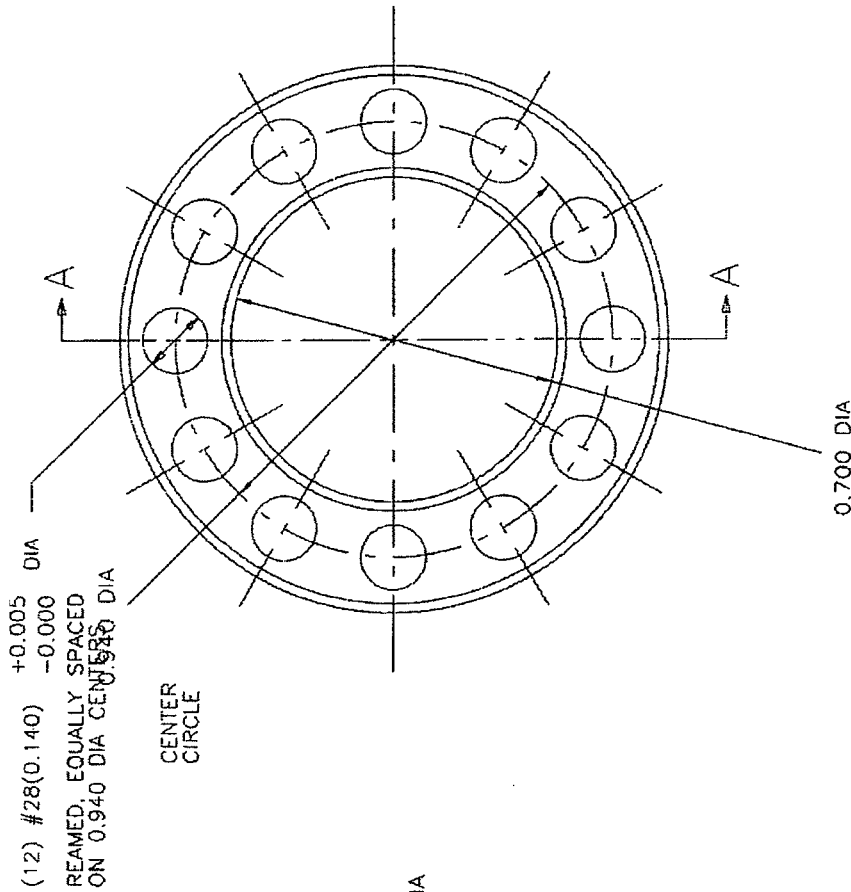
(DATE)

 William Schoonover
Associate Administrator for Hazardous
Materials Safety

Revision 8 - Issued to extend the expiration date.




SECTION A-A



HOLDER

MATERIAL: 0.125 THICKNESS x 1.25 DIA
AISI 304 OR 304L

7. INDIVIDUALLY PACKAGE AND IDENTIFY PART NUMBER THEREON
 6. FILLETS AND ROUNDS 0.015R
 5. SURFACE FINISH: NONE
 4. SURFACE TEXTURE: $\sqrt{32}$
 3. REMOVE BURRS AND BREAK ALL SHARP EDGES
 2. TOLERANCES: 0.XXX 0.002, 0.XX 0.01 \pm 0.X 0.1, \pm ANGLE \pm 0.5°
 1. DIMENSIONS ARE IN INCHES
- NOTE: UNLESS OTHERWISE SPECIFIED

 ISOTOPE PRODUCTS LABORATORIES
BURBANK, CALIFORNIA 91504

SCALE: NTS	DESIGNED: JMD/RLT
DATE: 11/20/93	REV/CHG: -
TITLE: HOLDER, ACTIVITY	SHEET: 1 OF 1
SERIES: XRF ANNULAR SOURCES	DRAWING NUMBER: 4004



U.S. Department of
Transportation

**Pipeline and
Hazardous Materials
Safety Administration**

East Building, PHH-23
1200 New Jersey Ave, SE
Washington, D.C. 20590

CERTIFICATE NUMBER: USA/0352/S-96

ORIGINAL REGISTRANT(S) :

Eckert & Ziegler Isotope Products
24937 Avenue Tibbitts
Valencia, CA, 91355
USA