



U.S. Department
of Transportation

Pipeline and
Hazardous Materials
Safety Administration

East Building, PHH-23
1200 New Jersey Ave, SE
Washington, D.C. 20590

IAEA CERTIFICATE OF COMPETENT AUTHORITY
SPECIAL FORM RADIOACTIVE MATERIALS

CERTIFICATE USA/0357/S-96, REVISION 11

This certifies that the sources described have been demonstrated to meet the regulatory requirements for special form radioactive material as prescribed in the regulations of the International Atomic Energy Agency¹ and the United States of America² for the transport of radioactive material.

1. Source Identification - Eckert & Ziegler Isotope Products (EZIP) source capsule Models 3203 and 3214.
2. Source Description - Cylindrical single encapsulations made of Type 304 or 304L stainless steel, with a 0.05 mm (0.002 in.) thick window at one end, and fusion seal welded. Approximate outer dimensions are 7.9 mm (0.312 in.) in diameter and 5.1 mm (0.2 in.) in length. Construction shall be in accordance with attached EZIP Drawing No. 3203, Rev. G, Sheet 3 of 6 (Model 3203); or Isotope Products Laboratories Drawing No. A3214, Rev. A (Model 3214).
3. Radioactive Contents - The sources described by this certificate are authorized to contain any one of the following radionuclides limited to the activity shown. The radionuclides are in the form of chlorides, nitrates, or oxides in ceramic; oxides in gold or aluminum; or metal plated onto substrate. The Na-22 may also be in the form of NaCl in gold or ceramic. The Ge-68 may also be in the form of GeO₂ in silver. The Sr-90 may also be in the form of SrTiO₄ in silver. The Ba-133 may also be in the form of BaSO₄ in ceramic.

¹ "Regulations for the Safe Transport of Radioactive Material, 2012 Edition, No. SSR-6" published by the International Atomic Energy Agency (IAEA), Vienna, Austria.

² Title 49, Code of Federal Regulations, Parts 100-199, United States of America.

CERTIFICATE USA/0357/S-96, REVISION 11

<u>Radionuclide</u>	<u>Activity MBq (mCi)</u>	
Na-22	185	(5)
Co-57	11,100	(300)
Co-58	11,100	(300)
Co-60	370	(10)
Ge-68	1,850	(50)
Sr-90	4,625	(125)
Ru-106	1,850	(50)
Ba-133	3,700	(100)
Cs-137	11,100	(300)
Ra-226	1,850	(50)
Lanthanides*	11,100	(300)
Actinides**	1,110	(30)

* (Isotopes of Ce, Pr, Sm, Eu, Gd, Tm, and Yb only)

** (Isotopes of Ac, Th, Pa, U, Pu, Am, and Cm only)

4. Management System Activities - Records of Management System activities required by Paragraph 306 of the IAEA regulations shall be maintained and made available to the authorized officials for at least three years after the last shipment authorized by this certificate. Consignors in the United States exporting shipments under this certificate shall satisfy the requirements of Subpart H of 10 CFR 71.
5. Expiration Date - This certificate expires on October 31, 2025. Previous editions which have not reached their expiration date may continue to be used.

CERTIFICATE USA/0357/S-96, REVISION 11


This certificate is issued in accordance with paragraph(s) 804 of the IAEA Regulations and Section 173.476 of Title 49 of the Code of Federal Regulations, in response to the October 9, 2020 petition by Eckert & Ziegler Isotope Products, Valencia, CA, and in consideration of other information on file in this Office.

Certified By:



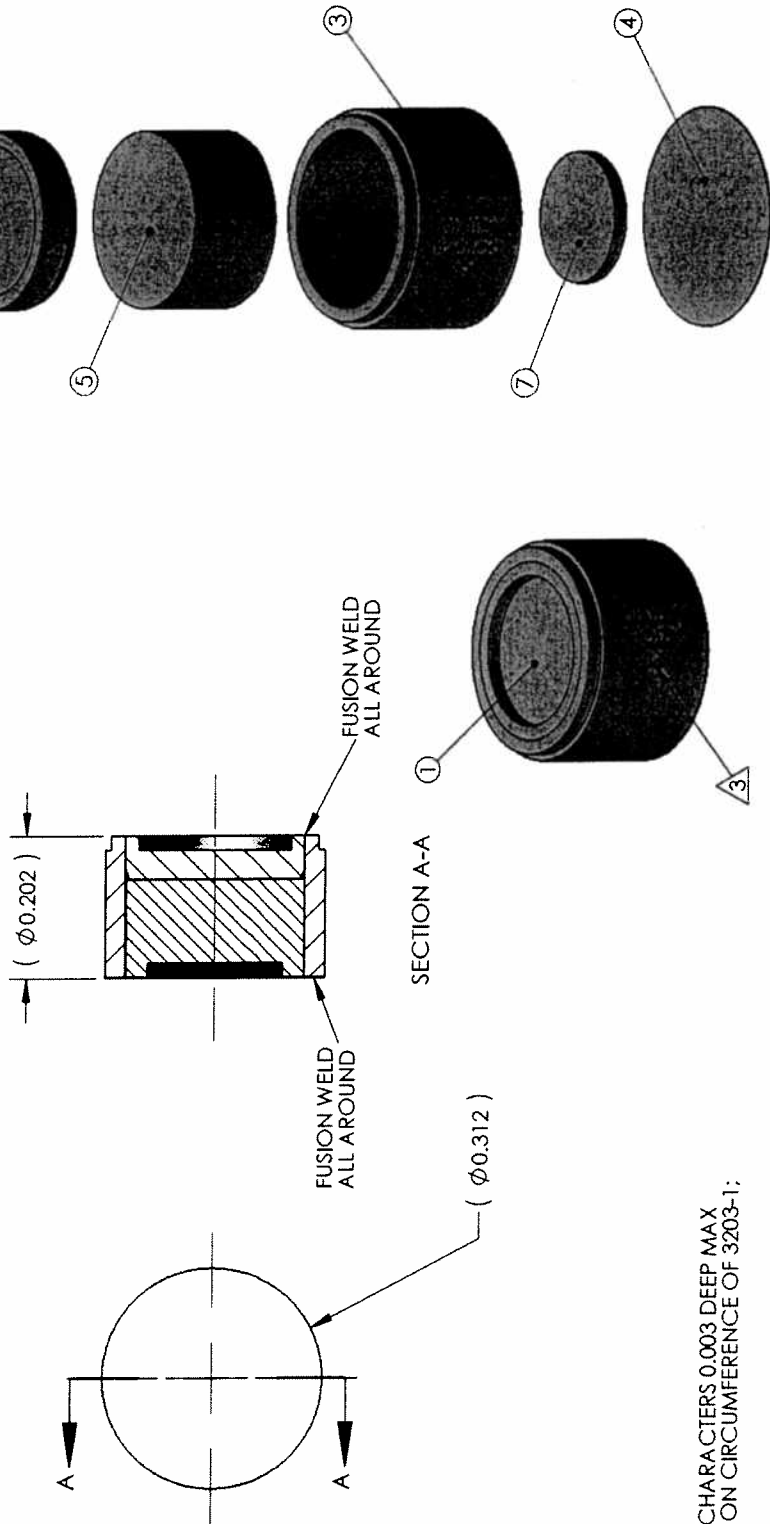
October 29, 2020

(DATE)

 William Schoonover
Associate Administrator for Hazardous
Materials Safety

Revision 11 - Issued to extend the expiration date.

X	ACTIVE ELEMENT SIZE	DESCRIPTION
0	0.000" DIA X 0.000" NO HOLE	ASSEMBLY
1	0.125" DIA X 0.030"	CAPSULE BODY
2	0.187" DIA X 0.020"	WINDOW
3	0.210" DIA X 0.040"	SHIELD
4	0.250" DIA X 0.040"	PLUG
		ACTIVE ELEMENT



ENGRAVE CHARACTERS 0.003 DEEP MAX
CENTERED ON CIRCUMFERENCE OF 3203-1;
IPL
ISOTOPE
ACTIVITY

SERIAL NUMBER
2. PACKAGE AND IDENTIFY PART NUMBER THERE ON
1. ASSEMBLE PER ENGINEERING DRAWING
NOTES: UNLESS OTHERWISE SPECIFIED

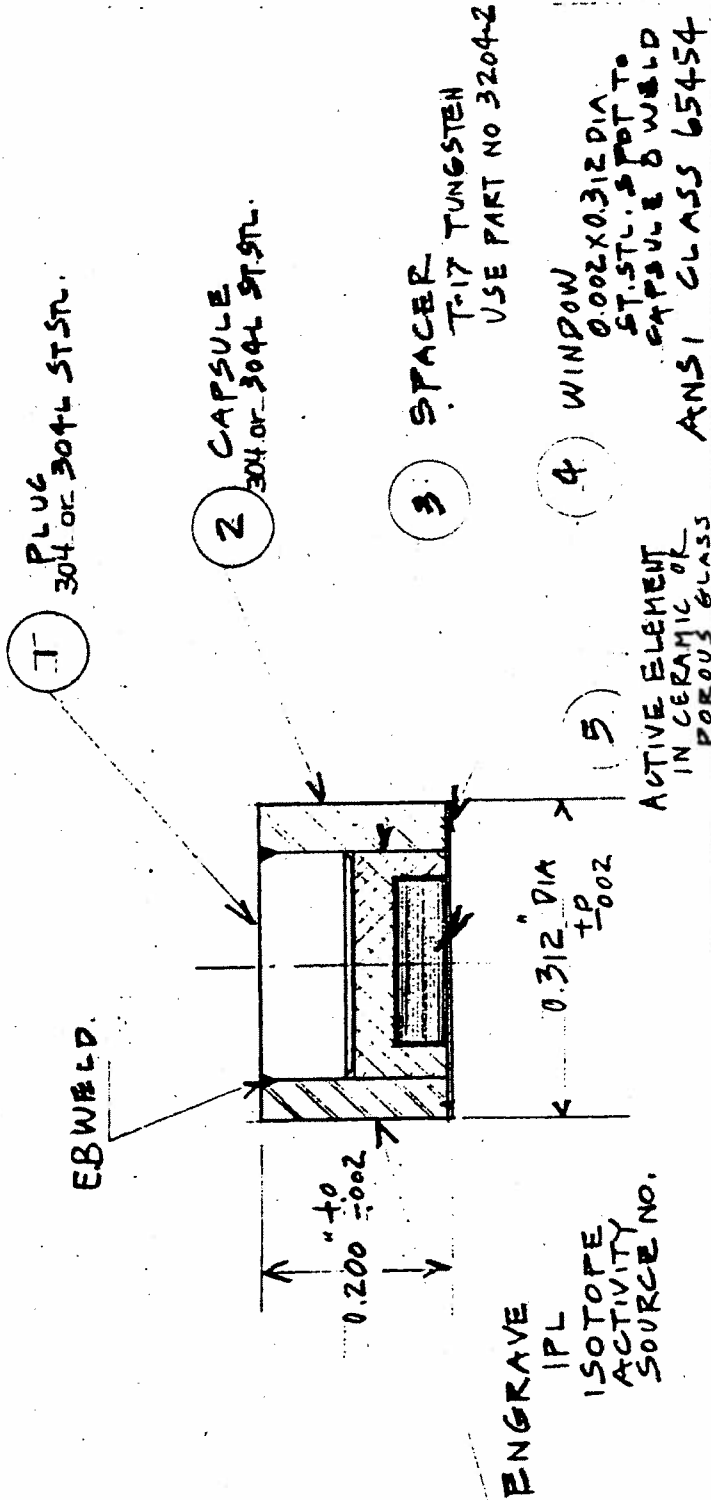
P/N A3203-X ASSEMBLY

Eckert & Ziegler Isotope Products VALENCIA, CALIFORNIA 91355	UNLESS OTHERWISE SPECIFIED DIMENSIONS ARE IN INCH- SIZES. METRIC UNITS (mm) ARE IN MILLIMETERS.		DRAWN KP	TITLE MODEL 3203 GFS-3 SOURCE	CAGE CODE 32993	REV G	SHEET 3 OF 6
	TOLERANCES X.XXX ± .002 INCH ANGULAR TOLERANCE OF 0°±30' X.XX ± .005 INCH FRACTIONAL DIMENSIONS ± 1/32" X.X ± .03 INCH REFERENCE DIMENSIONS (I N/A) X. ± .1 INCH SURFACE ROUGHNESS (μINCH MAX ALL DIMENSIONS ARE FINISHED DIMENSIONS	ME/CHECKER EZ	ENGINEER EZ	ME/CHECKER EZ	SERIES TITLE GFS AND XFB SOURCES (PHI & BFI)	DRAWING NO. 3203	SCALE NONE
THIRD ANGLE PROJECTION							
THIS DRAWING IS THE PROPERTY OF ISOTOPE PRODUCTS LABORATORIES AND MAY NOT BE USED, REPRODUCED, PUBLISHED OR DISCLOSED TO OTHERS WITHOUT EXPRESS AUTHORIZATION BY ISOTOPE PRODUCTS LABORATORIES.							

GROUP #1



ACTUAL SIZE



ISOTOPE PRODUCTS LABORATORIES

BURBANK, CALIFORNIA 91504

SCALE: 5/16	APPROVED BY:	DRAWN BY: E.W.
DATE: 2-26-87		REVISED: A 9/15/88
LOW ENERGY X RAY SOURCE. GFS-3		
GFS AND XFB SOURCES		DRAWING NUMBER A3214

APPROVED BY: *Edu 2-26-87*

DATE: *04 3/3/87*

BY: *JAC 3-3-87*



U.S. Department of
Transportation

**Pipeline and
Hazardous Materials
Safety Administration**

East Building, PHH-23
1200 New Jersey Ave, SE
Washington, D.C. 20590

CERTIFICATE NUMBER: USA/0357/S-96

ORIGINAL REGISTRANT(S) :

Eckert & Ziegler Isotope Products
24937 Avenue Tibbitts
Valencia, CA, 91355
USA

Boeing
P.O. Box 3707
M/S 6Y-38
Seattle, WA, 98124
USA