



U.S. Department
of Transportation

Pipeline and
Hazardous Materials
Safety Administration

East Building, PHH-23
1200 New Jersey Ave, SE
Washington, D.C. 20590

IAEA CERTIFICATE OF COMPETENT AUTHORITY
SPECIAL FORM RADIOACTIVE MATERIALS

CERTIFICATE USA/0413/S-96, REVISION 7

This certifies that the sources described have been demonstrated to meet the regulatory requirements for special form radioactive material as prescribed in the regulations of the International Atomic Energy Agency¹ and the United States of America² for the transport of radioactive material.

1. Source Identification - QSA Global, Inc. Model Nos. 92802 and 93302.
2. Source Description - The sources authorized by this certificate are tungsten inert gas welded double encapsulations constructed of Type 304 or 304L stainless steel. The outer capsule has diameter 6.4 mm (0.25 in.) and lengths of approximately 13.5 mm (0.53 in.) for Model 92802 and 22.4 mm (0.88 in.) for Model 93302. The outer capsule plug for both consists of a small diameter end which fits snugly inside and is welded to the outer capsule, and a large diameter end of diameter 9.5 mm (0.375 in.) machined to screw onto a source rod. Manufacture of either capsule shall be in accordance with attached Amersham Corporation Drawing No. 92899.
3. Radioactive Contents - Not more than 8.14 TBq (220 Ci) of Cobalt-60 in solid metal form.
4. Management System Activities - Records of Management System activities required by Paragraph 306 of the IAEA regulations shall be maintained and made available to the authorized officials for at least three years after the last shipment authorized by this certificate. Consignors in the United States exporting shipments under this certificate shall satisfy the requirements of Subpart H of 10 CFR 71.

¹ "Regulations for the Safe Transport of Radioactive Material, 2012 Edition, No. SSR-6" published by the International Atomic Energy Agency (IAEA), Vienna, Austria.

² Title 49, Code of Federal Regulations, Parts 100-199, United States of America.

CERTIFICATE USA/0413/S-96, REVISION 7


5. Expiration Date - This certificate expires on December 31, 2026. Previous editions which have not reached their expiration date may continue to be used.

This certificate is issued in accordance with paragraph(s) 804 of the IAEA Regulations and Section 173.476 of Title 49 of the Code of Federal Regulations, in response to the December 6, 2021 petition by QSA Global, Inc., Burlington, MA, and in consideration of other information on file in this Office.

Certified By:

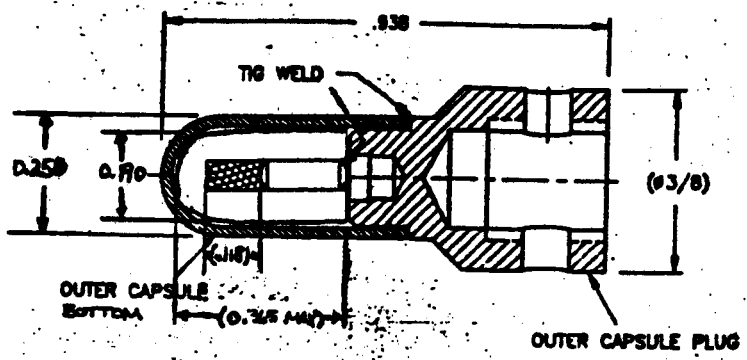


December 16, 2021
(DATE)

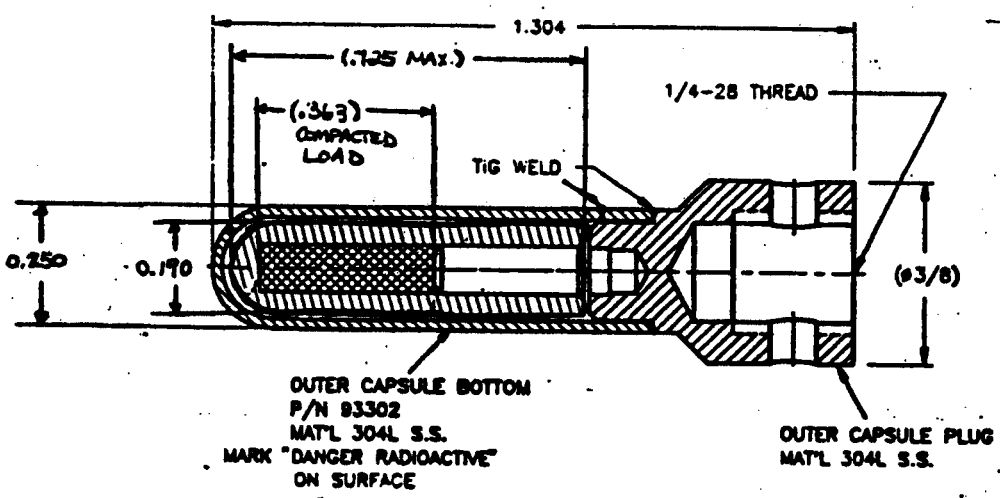
 William Schoonover
Associate Administrator for Hazardous
Materials Safety

Revision 7 - Issued to extend the expiration date.

REV	ENGINEER	DATE	DESCRIPTION
-----	----------	------	-------------



92802 SOURCE CAPSULE.



93302 SOURCE CAPSULE.

USED ON:		RELEASED FOR PRODUCTION ON _____ BY _____	
MATERIALS: C.P. TITANIUM GRADE 2		AMERSHAM CORPORATION BURLINGTON, MA 01803 Amersham	
FINISH:		DWG. TITLE 92802 AND 93302 SOURCE CAPSULES DESCRIPTIVE DRAWING	
DATE	3-11-94	UNLESS OTHERWISE SPECIFIED TOLERANCES ARE:	
PREPARED	G. PARSONS	.X	±0.1
ENGINEER	G. PARSONS	.XX	±0.01
CHECKED	D. DUNCANSON	.XXX	±0.005
APPROVED		ANGLES	±1°
		FRACT	±1/64
CLASSIFICATION		SIZE	DWG. NO.
		A	92899
SCALE		4:1	SHEET 1 OF 1
			REV



U.S. Department of
Transportation

**Pipeline and
Hazardous Materials
Safety Administration**

East Building, PHH-23
1200 New Jersey Ave, SE
Washington, D.C. 20590

CERTIFICATE NUMBER: USA/0413/S-96

ORIGINAL REGISTRANT(S) :

QSA Global, Inc.
40 North Avenue
Burlington, MA, 01803
USA