



U.S. Department
of Transportation
**Pipeline and
Hazardous Materials
Safety Administration**

**IAEA CERTIFICATE OF COMPETENT AUTHORITY
SPECIAL FORM RADIOACTIVE MATERIALS
CERTIFICATE USA/0513/S-96, REVISION 6**

East Building, PHH-23
1200 New Jersey Avenue Southeast
Washington, D.C. 20590

This certifies that the source described has been demonstrated to meet the regulatory requirements for special form radioactive material as prescribed in the regulations of the International Atomic Energy Agency¹ and the United States of America² for the transport of radioactive material.

1. Source Identification - QSA Global, Inc. Model No. X.560.
2. Source Description - Cylindrical single encapsulation made of Type 316, 316L, or 304L stainless steel and tungsten inert gas or laser welded. Approximate outer dimensions are 6.6 mm (0.26 in.) in diameter and 10.4 mm (0.41 in.) in length. In some cases there may be a second internal encapsulation constructed of stainless steel, aluminum, or titanium. Construction shall be in accordance with attached AEA Technology QSA Drawing No. R87523, Rev. C.
3. Radioactive Contents - No more than 20 TBq (540 Ci) of either Iridium-192 or Cobalt-60. The Ir-192 and Co-60 are in metallic form.
4. Quality Assurance - Records of Quality Assurance activities required by Paragraph 310 of the IAEA regulations¹ shall be maintained and made available to the authorized officials for at least three years after the last shipment authorized by this certificate. Consignors in the United States exporting shipments under this certificate shall satisfy the applicable requirements of Subpart H of 10 CFR 71.
5. Expiration Date - This certificate expires on March 31, 2022.

¹ "Regulations for the Safe Transport of Radioactive Material, 1996 Edition (Revised), No. TS-R-1 (ST-1, Revised)," published by the International Atomic Energy Agency (IAEA), Vienna, Austria.

² Title 49, Code of Federal Regulations, Parts 100-199, United States of America.

CERTIFICATE USA/0513/S-96, REVISION 6

This certificate is issued in accordance with paragraph 804 of the IAEA Regulations and Section 173.476 of Title 49 of the Code of Federal Regulations, in response to the March 09, 2017 petition by QSA Global, Inc., Burlington, MA, and in consideration of other information on file in this Office.

Certified By:



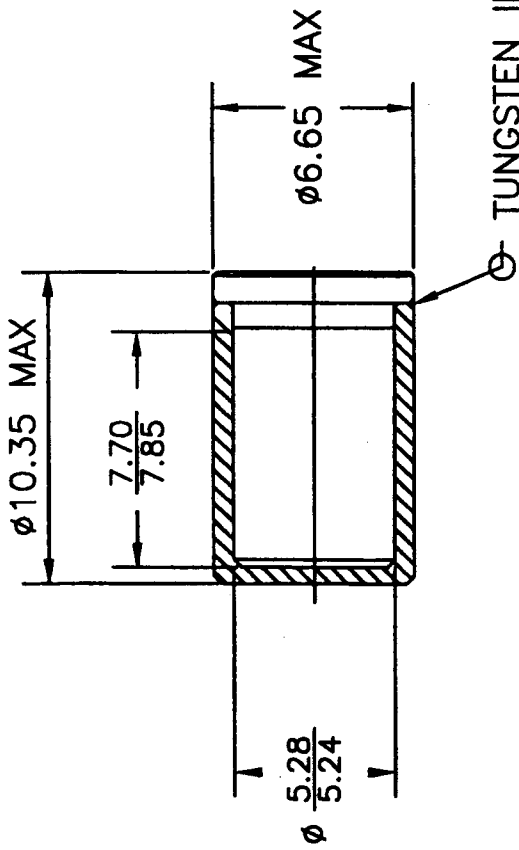
Mar 30 2017

(DATE)

 William Schoonover

Acting Associate Administrator for Hazardous Materials Safety

Revision 6 - Issued to extend the expiration date.



⊗ TUNGSTEN INERT GAS OR LASER WELDED

NOTES:

1. INTERNAL VOID TO BE 0.010 mL OR GREATER.
2. MATERIAL: 316L STAINLESS STEEL OR EQUIVALENT.
3. INNER CAVITY DIMENSIONS MAY VARY. METALLIC SPACERS, SPRINGS AND GUARDS WHICH SECURE AND/OR LOCATE THE RADIOACTIVE MATERIAL OR INNER CAPSULE WITHIN THE CAPSULE MAY BE USED.
4. MINIMUM WALL THICKNESS TO BE 0.45.

APPROVALS	
<i>R. J. ...</i>	14 Oct 06
<i>R. F. ...</i>	14 Oct 08
DIMENSIONS IN MILLIMETERS UNLESS OTHERWISE STATED TOLERANCES:	
X ±0.5	INTERNAL $\frac{M}{\Delta}$
X.X ±0.1	EXTERNAL $\frac{M}{\Delta}$
X.XX ±0.05	
ANGULAR ±5°	

 40 NORTH AVE. BURLINGTON, MA 01803		DESCRIPTIVE DRAWING
TITLE	X560 CAPSULE ASSEMBLY	
SIZE	DWG. NO.	REV
A	R87523	C
	SCALE:	SHEET 1 OF 1
	NONE	1



U.S. Department
of Transportation

East Building, PHH-23
1200 New Jersey Avenue SE
Washington, D.C. 20590

**Pipeline and
Hazardous Materials
Safety Administration**

CERTIFICATE NUMBER: USA/0513/S-96, Revision 6

ORIGINAL REGISTRANT(S):

Ms. Lori Podolak
Manager, Regulatory Affairs/Quality Assurance
QSA Global, Inc.
40 North Avenue
Burlington, MA 01803

Mr. Michael Fuller
Regulatory Compliance Associate
QSA Global, Inc.
40 North Avenue
Burlington, MA 01803