



U.S. Department  
of Transportation

Pipeline and  
Hazardous Materials  
Safety Administration

East Building, PHH-23  
1200 New Jersey Ave, SE  
Washington, D.C. 20590

IAEA CERTIFICATE OF COMPETENT AUTHORITY  
SPECIAL FORM RADIOACTIVE MATERIALS

CERTIFICATE USA/0663/S-96, REVISION 5

This certifies that the source described has been demonstrated to meet the regulatory requirements for special form radioactive material as prescribed in the regulations of the International Atomic Energy Agency<sup>1</sup> and the United States of America<sup>2</sup> for the transport of radioactive material.

1. Source Identification - QSA Global, Inc. Model X.1186 (Manufactured on or after November 20, 1990).
2. Source Description - Cylindrical single encapsulation made of Monel K500 with a stainless steel insert and tungsten inert gas or laser seal welded. Approximate outer dimensions are 8.0 mm (0.315 in.) in diameter and 8.0 mm (0.315 in.) in length. Minimum wall thickness is 0.56 mm (0.022 in.). Construction shall be in accordance with attached AEA Technology QSA, Inc. Drawing No. RBA61853, Rev. A.
3. Radioactive Contents - No more than 80.0 GBq (2.16 Ci) of Cesium-137. The Cs-137 is in the form of a cesium silicate in a glass matrix or a sulfate as ceramic ion exchange pellets.
4. Management System Activities - Records of Management System activities required by Paragraph 306 of the IAEA regulations shall be maintained and made available to the authorized officials for at least three years after the last shipment authorized by this certificate. Consignors in the United States exporting shipments under this certificate shall satisfy the requirements of Subpart H of 10 CFR 71.

---

<sup>1</sup> "Regulations for the Safe Transport of Radioactive Material, 2012 Edition, No. SSR-6" published by the International Atomic Energy Agency (IAEA), Vienna, Austria.

<sup>2</sup> Title 49, Code of Federal Regulations, Parts 100-199, United States of America.

**CERTIFICATE USA/0663/S-96, REVISION 5**


5. Expiration Date - This certificate expires on June 30, 2023. Previous editions which have not reached their expiration date may continue to be used.

This certificate is issued in accordance with paragraph(s) 804 of the IAEA Regulations and Section 173.476 of Title 49 of the Code of Federal Regulations, in response to the June 1, 2018 petition by QSA Global, Inc., Burlington, MA, and in consideration of other information on file in this Office.

Certified By:

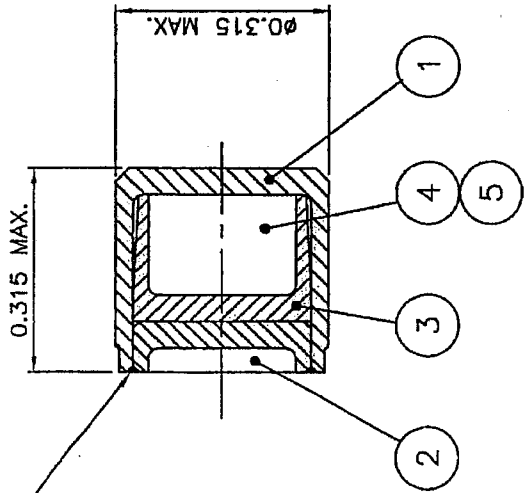


July 12, 2018  
(DATE)

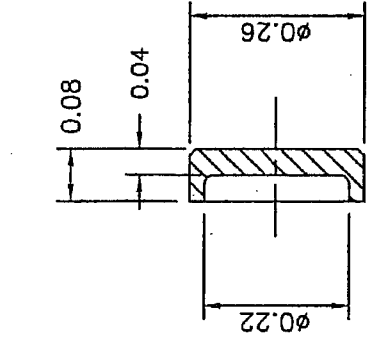
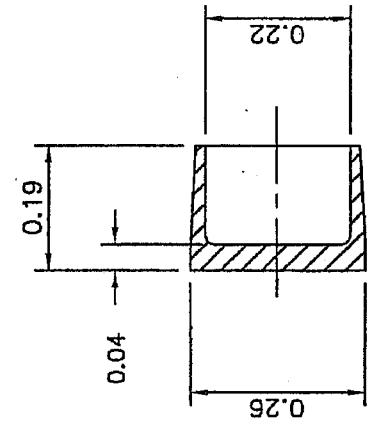
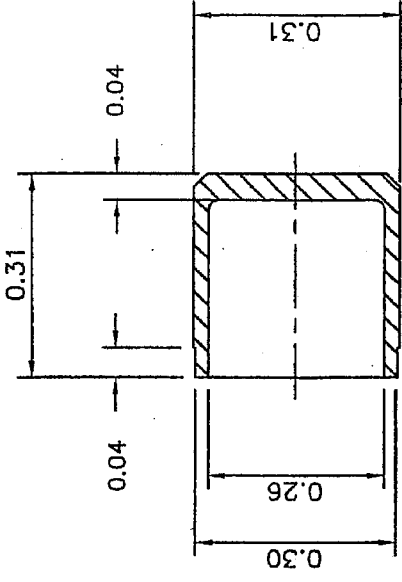
 William Schoonover  
Associate Administrator for Hazardous  
Materials Safety

Revision 5 - Issued to extend the expiration date.

TIG OR LASER  
WELD TO SEAL



ITEM NO.	DESCRIPTION	QTY.
1	SHEATH BODY MONEL K500	1
2	SHEATH LID MONEL K500	1
3	SHEATH INSERT STAIN.STL.	1
4	ACTIVE MATERIAL	AR
5	CERAMIC FIBER (OPTIONAL)	AR



ITEM 2

ITEM 3

ITEM 1

APPROVALS	
<i>Robert Munn</i>	17 Nov 03
<i>R. P. ...</i>	21 Nov 03

DIMENSIONS INCHES  
UNLESS OTHERWISE STATED TOLERANCES:

X ±0.5  
X.X ±0.1  
X.XX ±0.05  
ANGULAR ±5°

INTERNAL    
EXTERNAL



DESCRIPTIVE  
DRAWING

TITLE	X1186 CAPSULE ASSEMBLY	
SIZE	DWG. NO.	REV
A	RBA61853	A
SCALE:	NONE	SHEET 1 OF 1

ERF # 719



U.S. Department of  
Transportation

**Pipeline and  
Hazardous Materials  
Safety Administration**

East Building, PHH-23  
1200 New Jersey Ave, SE  
Washington, D.C. 20590

**CERTIFICATE NUMBER:** USA/0663/S-96

**ORIGINAL REGISTRANT(S) :**

QSA Global, Inc.  
30 North Avenue  
Burlington, MA, 01803  
USA

Schlumberger  
300 Schlumberger Drive  
MD-121  
Sugar Land, TX, 77478  
USA