



U.S. Department  
of Transportation

Pipeline and  
Hazardous Materials  
Safety Administration

East Building, PHH-23  
1200 New Jersey Ave, SE  
Washington, D.C. 20590

IAEA CERTIFICATE OF COMPETENT AUTHORITY  
SPECIAL FORM RADIOACTIVE MATERIALS

CERTIFICATE USA/0686/S-96, REVISION 4

This certifies that the source described has been demonstrated to meet the regulatory requirements for special form radioactive material as prescribed in the regulations of the International Atomic Energy Agency<sup>1</sup> and the United States of America<sup>2</sup> for the transport of radioactive material.

1. Source Identification - QSA Global, Inc. Model X.97 (Manufactured on or after April 21, 1981).
2. Source Description - Cylindrical single encapsulation made of stainless steel and tungsten inert gas or laser seal welded. The Model X.97 incorporates a copper gasket, a stainless steel insert, and an optional stainless steel spring. Approximate exterior dimensions are 22.1 mm (0.87 in.) in diameter and 6.2 mm (0.24 in.) in length. Minimum wall thickness is 0.2 mm (0.008 in.). Construction shall be in accordance with attached AEA Technology QSA, Inc. Drawing No. RBA11084, Rev. B.
3. Radioactive Contents - No more than 74.0 GBq (2.0 Ci) of Americium-241. The Am-241 is in the form of an oxide incorporated into a ceramic enamel.
4. Management System Activities - Records of Management System activities required by Paragraph 306 of the IAEA regulations shall be maintained and made available to the authorized officials for at least three years after the last shipment authorized by this certificate. Consignors in the United States exporting shipments under this certificate shall satisfy the requirements of Subpart H of 10 CFR 71.

---

<sup>1</sup> "Regulations for the Safe Transport of Radioactive Material, 2012 Edition, No. SSR-6" published by the International Atomic Energy Agency (IAEA), Vienna, Austria.

<sup>2</sup> Title 49, Code of Federal Regulations, Parts 100-199, United States of America.

**CERTIFICATE USA/0686/S-96, REVISION 4**


5. Expiration Date - This certificate expires on December 31, 2028. Previous editions which have not reached their expiration date may continue to be used.

This certificate is issued in accordance with paragraph(s) 804 of the IAEA Regulations and Section 173.476 of Title 49 of the Code of Federal Regulations, in response to the November 1, 2023 petition by QSA Global, Inc., Burlington, MA, and in consideration of other information on file in this Office.

Certified By:

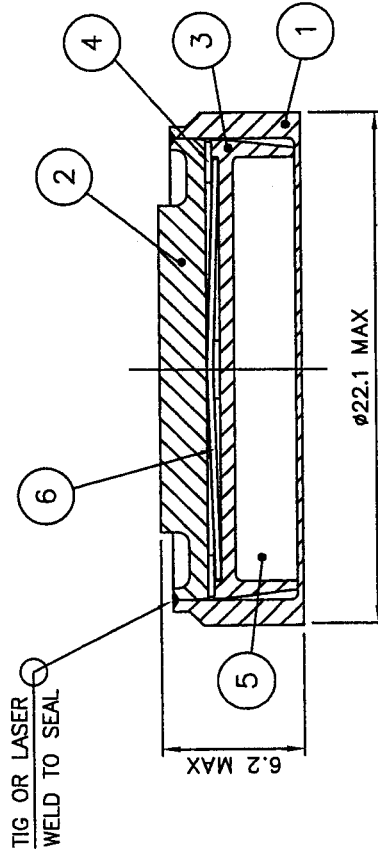



December 13, 2023  
(DATE)

 William Schoonover  
Associate Administrator for Hazardous  
Materials Safety

Revision 4 - Issued to extend the expiration date.

ITEM	DESCRIPTION	QTY
1	BODY STAIN. STL.	1
2	LID STAIN. STL.	1
3	INSERT STAIN. STL.	1
4	GASKET COPPER	1
5	ACTIVE MATERIAL A/R	
6	SPRING (OPTIONAL) STAIN. STL.	1



		<b>DESCRIPTIVE DRAWING</b>	
APPROVALS <i>P. M...</i> 24 Sep 07 <i>A. P...</i> 21 Sep 04		<b>TITLE</b> X97 CAPSULE ASSEMBLY	
DIMENSIONS IN MILLIMETERS UNLESS OTHERWISE STATED TOLERANCES: X ±0.5 X.X ±0.1 X.XX ±0.05 ANGULAR ±5°		<b>SIZE</b> A	<b>SCALE:</b> NONE
<b>DWG. NO.</b> RBA11084		<b>SHEET 1 OF 1</b>	
<b>REV</b> B		<b>REVISION</b>	

ERF # 895



U.S. Department of  
Transportation

**Pipeline and  
Hazardous Materials  
Safety Administration**

East Building, PHH-23  
1200 New Jersey Ave, SE  
Washington, D.C. 20590

**CERTIFICATE NUMBER:** USA/0686/S-96

**ORIGINAL REGISTRANT(S) :**

QSA Global, Inc.  
40 North Avenue  
Burlington, MA, 01803  
USA