



U.S. Department  
of Transportation

Pipeline and  
Hazardous Materials  
Safety Administration

East Building, PHH-23  
1200 New Jersey Ave, SE  
Washington, D.C. 20590

IAEA CERTIFICATE OF COMPETENT AUTHORITY  
SPECIAL FORM RADIOACTIVE MATERIALS

CERTIFICATE USA/0704/S-96, REVISION 3

This certifies that the source described has been demonstrated to meet the regulatory requirements for special form radioactive material as prescribed in the regulations of the International Atomic Energy Agency<sup>1</sup> and the United States of America<sup>2</sup> for the transport of radioactive material.

1. Source Identification - QSA Global, Inc. Model XN162/3 (Manufactured on or after September 27, 1996).
2. Source Description - Cylindrical double encapsulation with rectangular end piece extension made of stainless steel and tungsten inert gas or laser seal welded. Approximate outer dimensions of the cylindrical portion are 16.7 mm (0.66 in.) in diameter and 12.8 mm (0.5 in.) in length. Approximate outer dimensions of the rectangular end piece extension are 38.0 mm (1.5 in.) in height, 19.0 mm (0.75 in.) in width, and 3.2 mm (0.13 in.) in depth. Minimum wall thickness of the outer encapsulation is 0.04 mm (0.002 in.). Construction shall be in accordance with attached AEA Technology QSA, Inc. Drawing Number RBA62802, Rev. B.
3. Radioactive Contents - No more than 37.0 GBq (1.0 Ci) of Strontium-90. The Sr-90 is in the form of a ceramic enamel.
4. Management System Activities - Records of Management System activities required by Paragraph 306 of the IAEA regulations shall be maintained and made available to the authorized officials for at least three years after the last shipment authorized by this certificate. Consignors in the United States exporting shipments under this certificate shall satisfy the requirements of Subpart H of 10 CFR 71.

---

<sup>1</sup> "Regulations for the Safe Transport of Radioactive Material, 2012 Edition, No. SSR-6" published by the International Atomic Energy Agency (IAEA), Vienna, Austria.

<sup>2</sup> Title 49, Code of Federal Regulations, Parts 100-199, United States of America.

**CERTIFICATE USA/0704/S-96, REVISION 3**


5. Expiration Date - This certificate expires on June 30, 2024. Previous editions which have not reached their expiration date may continue to be used.

This certificate is issued in accordance with paragraph(s) 804 of the IAEA Regulations and Section 173.476 of Title 49 of the Code of Federal Regulations, in response to the June 3, 2019 petition by QSA Global, Inc., Burlington, MA, and in consideration of other information on file in this Office.

Certified By:

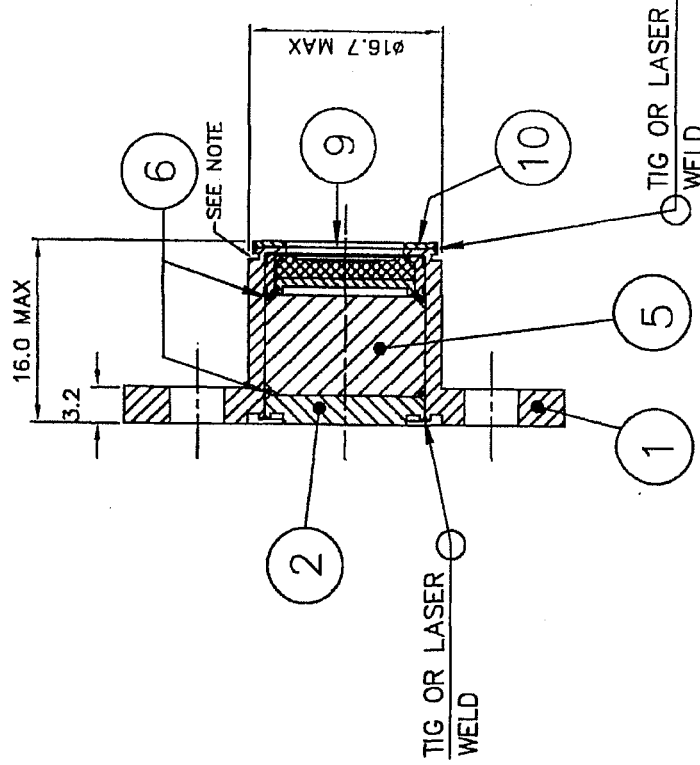
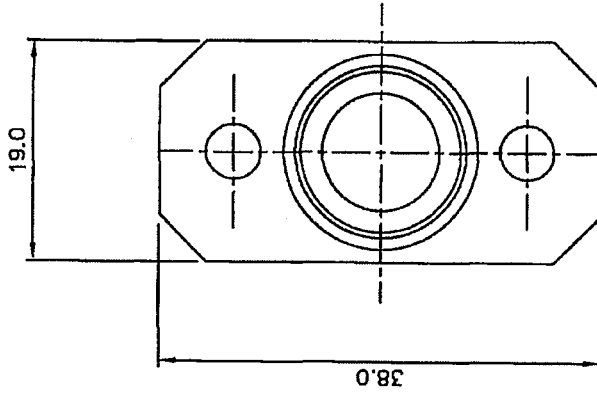
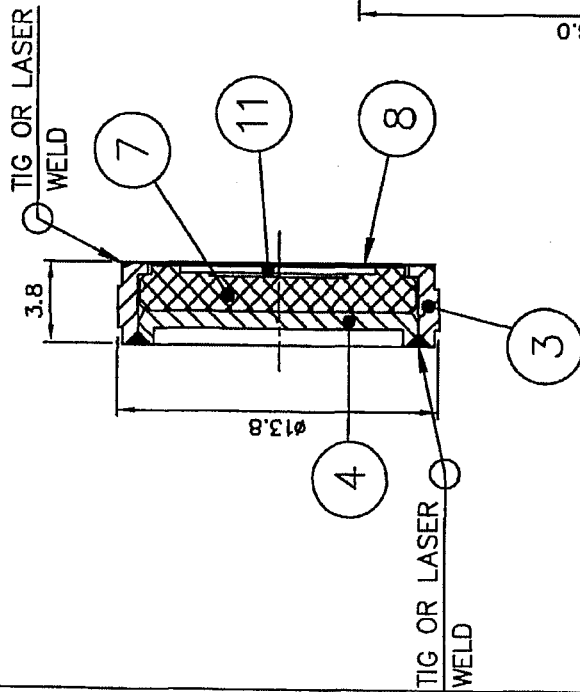


June 13, 2019  
(DATE)

 William Schoonover  
Associate Administrator for Hazardous  
Materials Safety

Revision 3 - Issued to extend the expiration date.

ENLARGED CELL DETAIL  
SCALE 2/1



ITEM	DESCRIPTION	QTY
1	SHEATH BODY	1
2	SHEATH LID	1
3	CELL BODY	1
4	CELL LID	1
5	PLUG	1
6	PACKING RING	1
7	CELL INSERT	1
8	CELL WINDOW	1
9	SHEATH WINDOW	1
10	RETAINING RING	1
11	ACTIVE MATERIAL	A/R

APPROVALS

*L. P. P. P.*  
*M. M. M.*

DIMENSIONS IN MILLIMETRES  
UNLESS OTHERWISE STATED TOLERANCES:

±0.5  
X.X ±0.1  
X.XX ±0.05  
ANGULAR ±5°

INTERNAL   
EXTERNAL



40 NORTH AVE., BURLINGTON, MA 01803

DESCRIPTIVE  
DRAWING

TITLE XN162/3 CAPSULE ASSEMBLY

SIZE A  
DWG. NO. RBA62802  
SCALE: NONE

ERF # 1008

NOTE: RECESS NOT PRESENT ON ALL CAPSULES

REV B

SHEET 1 OF 1



U.S. Department of  
Transportation

**Pipeline and  
Hazardous Materials  
Safety Administration**

East Building, PHH-23  
1200 New Jersey Ave, SE  
Washington, D.C. 20590

**CERTIFICATE NUMBER:** USA/0704/S-96

**ORIGINAL REGISTRANT(S) :**

QSA Global, Inc.  
30 North Avenue  
Burlington, MA, 01803  
USA