



U.S. Department
of Transportation
**Pipeline and
Hazardous Materials
Safety Administration**

**IAEA CERTIFICATE OF COMPETENT AUTHORITY
SPECIAL FORM RADIOACTIVE MATERIALS
CERTIFICATE USA/0720/S-96, REVISION 2**

East Building, PHH-23
1200 New Jersey Avenue Southeast
Washington, D.C. 20590

This certifies that the source described has been demonstrated to meet the regulatory requirements for special form radioactive material as prescribed in the regulations of the International Atomic Energy Agency¹ and the United States of America² for the transport of radioactive material.

1. Source Identification - QSA Global, Inc. Model X135/2 (Manufactured on or after January 20, 1978).
2. Source Description - Cylindrical single encapsulation made of Monel with a beryllium window that is tungsten inert gas or laser seal welded on one end and seal brazed on the other end. Approximate outer dimensions are 22.2 mm (0.87 in.) in diameter and 6.3 mm (0.25 in.) in length. Minimum wall thickness is 0.95 mm (0.004 in.). Construction shall be in accordance with attached AEA Technology QSA, Inc. Drawing No. RBA61803, Rev. A.
3. Radioactive Contents - No more than 55.5 GBq (1.5 Ci) of either Americium-241, Curium-244 or Plutonium-238. The Am-241 and Cm-244 are in the form of an oxide incorporated into a ceramic enamel. The Pu-238 is in the form of oxide or an oxide incorporated into a ceramic enamel.
4. Quality Assurance - Records of Quality Assurance activities required by Paragraph 310 of the IAEA regulations¹ shall be maintained and made available to the authorized officials for at least three years after the last shipment authorized by this certificate. Consignors in the United States exporting shipments under this certificate shall satisfy the applicable requirements of Subpart H of 10 CFR 71.
5. Expiration Date - This certificate expires on June 30, 2020.

¹ "Regulations for the Safe Transport of Radioactive Material, 1996 Edition (Revised), No. TS-R-1 (ST-1, Revised)," published by the International Atomic Energy Agency (IAEA), Vienna, Austria.

² Title 49, Code of Federal Regulations, Parts 100-199, United States of America.

CERTIFICATE USA/0720/S-96, REVISION 2


This certificate is issued in accordance with paragraph 804 of the IAEA Regulations and Section 173.476 of Title 49 of the Code of Federal Regulations, in response to the June 10, 2015 petition by QSA Global, Inc., Burlington, MA, and in consideration of other information on file in this Office.

Certified By:



Jun 23 2015

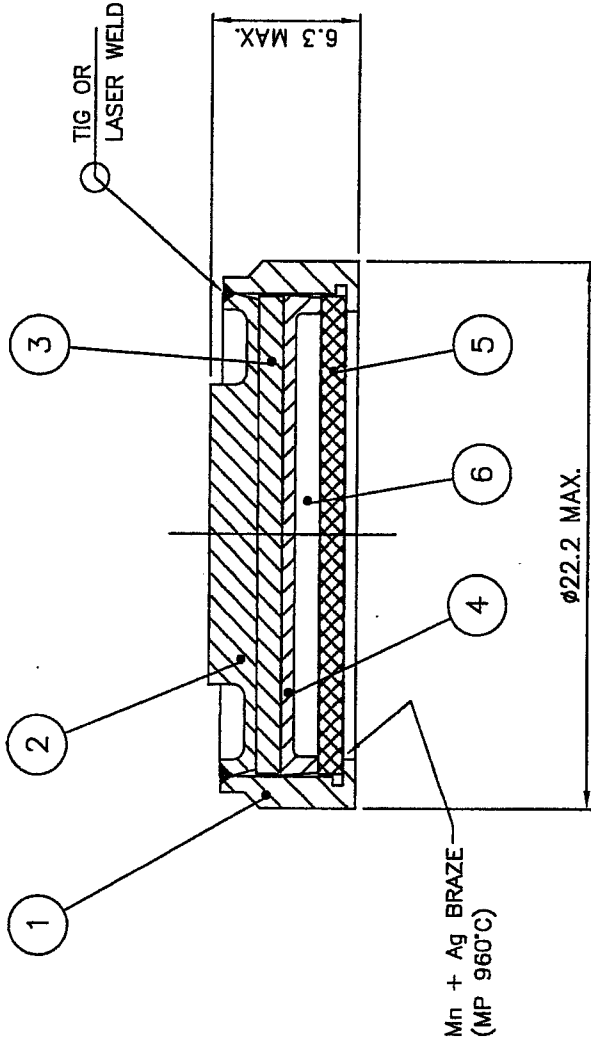
(DATE)

 Dr. Magdy El-Sibaie

Associate Administrator for Hazardous Materials Safety

Revision 2 - Issued to extend the expiration date.

Item	Description	No.o
1	BODY	1
2	LID	1
3	PLUG	1
4	INSERT	1
5	WINDOW	1
6	ACTIVE MATERIAL	A/F



DESCRIPTIVE
DRAWING

TITLE X135/2 CAPSULE ASSEMBLY

SIZE DWG. NO. RBA61803

REV A

APPROVALS	
<i>[Signature]</i>	3 Nov 05
<i>[Signature]</i>	3 Nov 05

DIMENSIONS IN MILLIMETERS
UNLESS OTHERWISE STATED TOLERANCES:

X	±0.5	INTERNAL	NG
X.X	±0.1	INTERNAL	NG
X.XX	±0.05	EXTERNAL	NG
ANGIII AR	+F		

FRF # 117R



U.S. Department
of Transportation

East Building, PHH-23
1200 New Jersey Avenue SE
Washington, D.C. 20590

**Pipeline and
Hazardous Materials
Safety Administration**

CERTIFICATE NUMBER: USA/0720/S-96, Revision 2

ORIGINAL REGISTRANT(S):

Ms. Lori Podolak
Manager, Regulatory Affairs/Quality Assurance
QSA Global, Inc.
40 North Avenue
Burlington, MA 01803

Mr. Michael Fuller
Regulatory Compliance Associate
QSA Global, Inc.
40 North Avenue
Burlington, MA 01803

Ms. Thuquynh Dinh
Regulatory Affairs/Quality Assurance
QSA Global, Inc.
40 North Avenue
Burlington, MA 01803