



U.S. Department
of Transportation

Pipeline and
Hazardous Materials
Safety Administration

East Building, PHH-23
1200 New Jersey Ave, SE
Washington, D.C. 20590

IAEA CERTIFICATE OF COMPETENT AUTHORITY
SPECIAL FORM RADIOACTIVE MATERIALS

CERTIFICATE USA/0793/S-96, REVISION 2

This certifies that the source described has been demonstrated to meet the regulatory requirements for special form radioactive material as prescribed in the regulations of the International Atomic Energy Agency¹ and the United States of America² for the transport of radioactive material.

1. Source Identification - Eckert & Ziegler Isotope Products (EZIP) source capsule Model No. Cf2.N02.
2. Source Description - Cylindrical double encapsulation made of Type 316 and 304 stainless steel and fusion welded. Approximate outer dimensions are 7.8 mm (0.307 in.) in diameter and 10.0 mm (0.394 in.) in length. Construction shall be in accordance with attached Eckert & Ziegler Isotope Products Drawing No. 3036-REG, Model N02 Neutron Source, Double Encapsulated, Rev. D, Sheet 2 of 2.
3. Radioactive Contents - No more than 1.11 GBq (30 mCi) of Californium-252. The Cf-252 is composed of oxides in ceramic, oxides in metal, or oxides in palladium metal wire.
4. Management System Activities - Records of Management System activities required by Paragraph 306 of the IAEA regulations shall be maintained and made available to the authorized officials for at least three years after the last shipment authorized by this certificate. Consignors in the United States exporting shipments under this certificate shall satisfy the requirements of Subpart H of 10 CFR 71.
5. Expiration Date - This certificate expires on June 30, 2027. Previous editions which have not reached their expiration date may continue to be used.

¹ "Regulations for the Safe Transport of Radioactive Material, 2012 Edition, No. SSR-6" published by the International Atomic Energy Agency (IAEA), Vienna, Austria.

² Title 49, Code of Federal Regulations, Parts 100-199, United States of America.

CERTIFICATE USA/0793/S-96, REVISION 2

This certificate is issued in accordance with paragraph(s) 804 of the IAEA Regulations and Section 173.476 of Title 49 of the Code of Federal Regulations, in response to the May 20, 2022 petition by Eckert & Ziegler Isotope Products, Valencia, CA, and in consideration of other information on file in this Office.

Certified By:

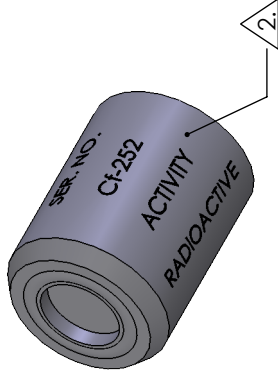
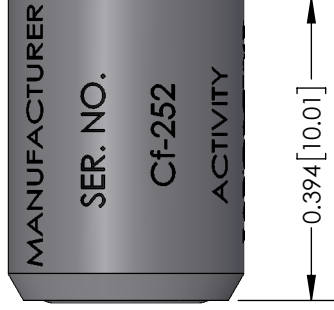
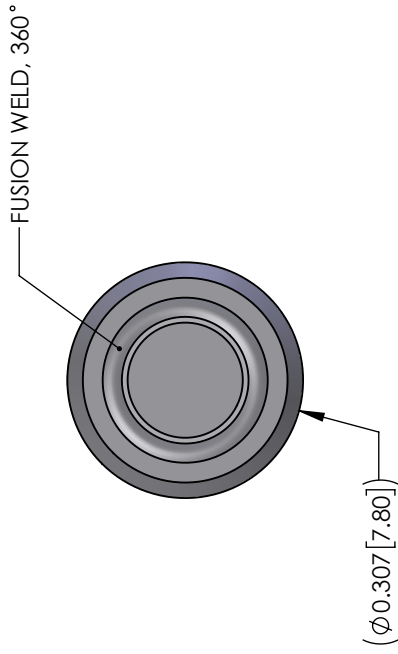


June 09, 2022

(DATE)

 William Schoonover
Associate Administrator for Hazardous
Materials Safety


Revision 2 - Issued to extend the expiration date.



ENGRAVE CHARACTER: HEIGHT 0.050" [1.27mm] X 0.003" [0.08mm] MAX:
MANUFACTURER, SERIAL NUMBER, "Cf-252", ACTIVITY, "RADIOACTIVE".
LASER ENGRAVING IS ALLOWED.

1. ISOMETRIC VIEW IS NOT TO SCALE.
NOTES: UNLESS OTHERWISE SPECIFIED

CAPSULE A3036-2 Cf-252 SOURCE

 Eckert & Ziegler Isotope Products VALENCIA, CALIFORNIA 91355	CAGE CODE	32993	DRAWING SIZE	LETTER	DRAWN	TITLE	
	UNLESS OTHERWISE SPECIFIED DIMENSIONS ARE IN INCH SIZES. METRIC UNITS [mm] ARE IN MILLIMETERS.				ME/CHECKER	KP	MODEL N02 NEUTRON SOURCE, DOUBLE ENCAPSULATED
TOLERANCES (UNLESS OTHERWISE SPECIFIED)				ENGINEER	AR	SERIES TITLE	
X.XXX	± .002	INCH	ANGULAR TOLERANCE OF 0°±30°	EZ	HIGH INTENSITY GAMMA & NEUTRON		
X.XX	± .005	INCH	FRACTIONAL DIMENSIONS ± 1/32"	SCALE			
X.X	± .03	INCH	REFERENCE DIMENSIONS (I) N/A		REV	D	SHEET
X.	± .1	INCH	SURFACE ROUGHNESS (I) INCH MAX	4:1	DRAWING NO.	3036-REG	2 OF 2



U.S. Department of
Transportation

**Pipeline and
Hazardous Materials
Safety Administration**

East Building, PHH-23
1200 New Jersey Ave, SE
Washington, D.C. 20590

CERTIFICATE NUMBER: USA/0793/S-96

ORIGINAL REGISTRANT(S) :

Eckert & Ziegler Isotope Products
24937 Avenue Tibbitts
Valencia, CA, 91355
USA