



U.S. Department
of Transportation

Pipeline and
Hazardous Materials
Safety Administration

East Building, PHH-23
1200 New Jersey Ave, SE
Washington, D.C. 20590

IAEA CERTIFICATE OF COMPETENT AUTHORITY
SPECIAL FORM RADIOACTIVE MATERIALS

CERTIFICATE USA/0804/S-96, REVISION 1

This certifies that the sources described have been demonstrated to meet the regulatory requirements for special form radioactive material as prescribed in the regulations of the International Atomic Energy Agency¹ and the United States of America² for the transport of radioactive material.

1. Source Identification - Eckert & Ziegler Isotope Products Model Nos. 30-16-1 and 30-16-2.
2. Source Description - Cylindrical double encapsulations made of Type 304 or Type 304L stainless steel and fusion welded. Approximate outer dimensions are 9.4 mm (0.37 in.) in diameter and 23.5 mm (0.93 in.) in length. Construction shall be in accordance with attached Eckert & Ziegler Isotope Products Drawing Nos. 30-16, Rev A, Sheet 3 of 6 (Model 30-16-1) or 30-16, Rev A, Sheet 4 of 6 (Model 30-16-2).
3. Radioactive Contents - No more than 1.11 GBq (30 mCi) of Californium-252. The Cf-252 is in the form of Cf₂O₃ in aluminum, ceramic, or cermet wire.
4. Management System Activities - Records of Management System activities required by Paragraph 306 of the IAEA regulations shall be maintained and made available to the authorized officials for at least three years after the last shipment authorized by this certificate. Consignors in the United States exporting shipments under this certificate shall satisfy the requirements of Subpart H of 10 CFR 71.
5. Expiration Date - This certificate expires on January 31, 2025. Previous editions which have not reached their expiration date may continue to be used.

¹ "Regulations for the Safe Transport of Radioactive Material, 2012 Edition, No. SSR-6" published by the International Atomic Energy Agency (IAEA), Vienna, Austria.

² Title 49, Code of Federal Regulations, Parts 100-199, United States of America.

CERTIFICATE USA/0804/S-96, REVISION 1

This certificate is issued in accordance with paragraph(s) 804 of the IAEA Regulations and Section 173.476 of Title 49 of the Code of Federal Regulations, in response to the December 24, 2019 petition by Eckert & Ziegler Isotope Products, Valencia, CA, and in consideration of other information on file in this Office.

Certified By:

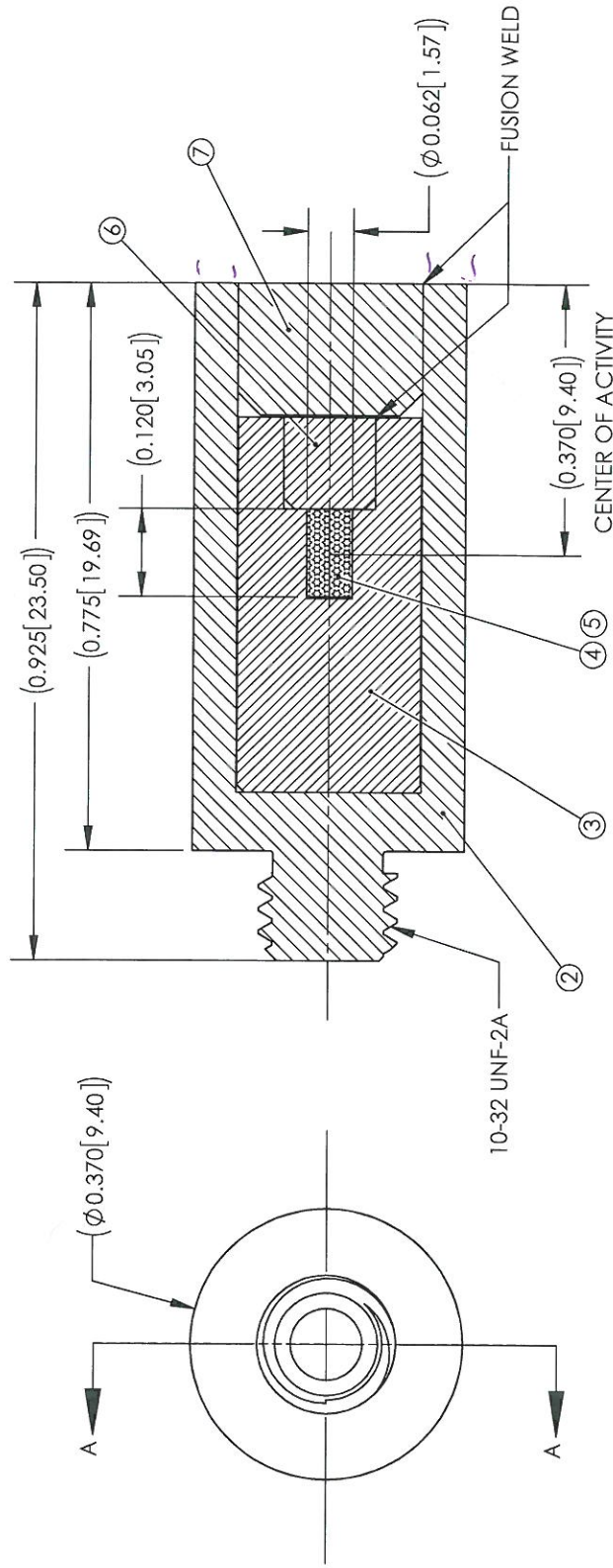


February 03, 2020

(DATE)

 William Schoonover
Associate Administrator for Hazardous
Materials Safety

Revision 1 - Issued to extend the expiration date.




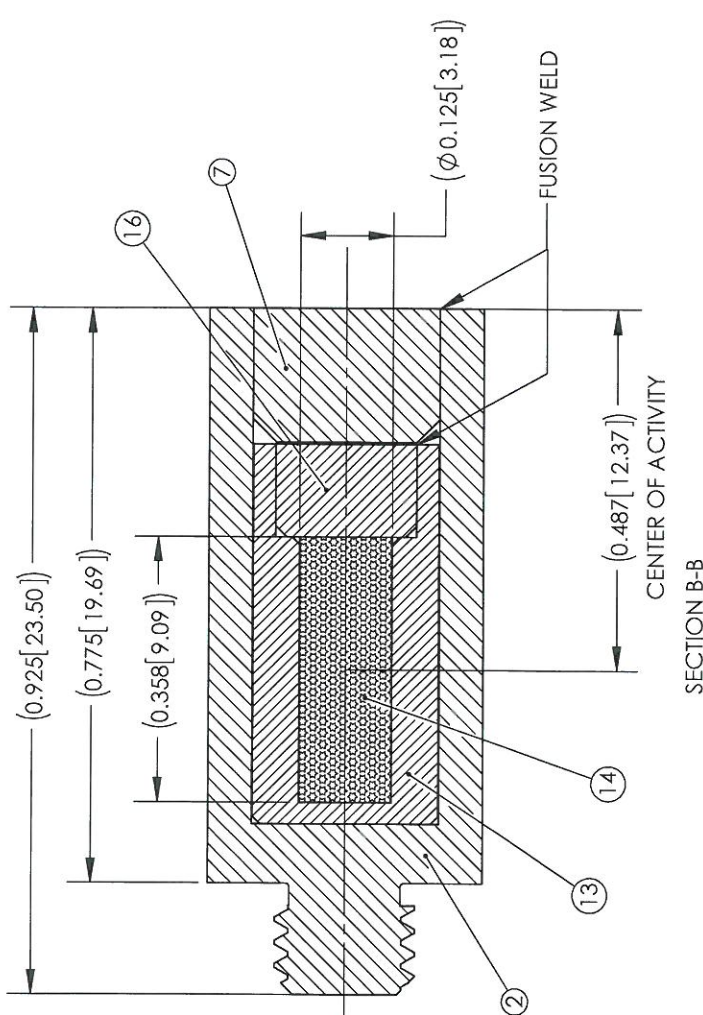
SECTION A-A



2. PACKAGE AND IDENTIFY PART NUMBER THEREON.
 1. ASSEMBLE PER ENGINEERING DRAWING.
 NOTES: UNLESS OTHERWISE SPECIFIED


P/N A30-16-1 Cf-252 SOURCE ASSEMBLY (CERAMIC ACTIVE ELEMENT)

 Eckert & Ziegler Isotope Products VALENCIA, CALIFORNIA 91355	CAGE CODE 32993 DRAWING SIZE LETTER <small>UNLESS OTHERWISE SPECIFIED DIMENSIONS ARE IN INCH SIZES. METRIC UNITS [mm] ARE IN MILLIMETERS.</small>		DRAWN JJK ME/CHECKER EZ	TITLE Cf-252 SOURCE	SERIES TITLE INDUSTRIAL SOURCES, NEUTRON	DRAWING NO. 30-16 REV A SHEET 3 OF 6
	<small>TOLERANCES (UNLESS OTHERWISE SPECIFIED) X.XXX ± .002 INCH ANGULAR TOLERANCE OF 0°±30° X.XX ± .005 INCH FRACTIONAL DIMENSIONS ± 1/32" X.X ± .03 INCH REFERENCE DIMENSIONS (I) N/A X ± .1 INCH SURFACE ROUGHNESS μINCH MAX</small>		ENGINEER EZ/JJK SCALE 4:1	(0.925 [23.50]) (0.775 [19.69]) (0.120 [3.05]) (0.370 [9.40]) CENTER OF ACTIVITY (φ 0.062 [1.57]) FUSION WELD		



2. PACKAGE AND IDENTIFY PART NUMBER THEREON.
 1. ASSEMBLE PER ENGINEERING DRAWING.
 NOTES: UNLESS OTHERWISE SPECIFIED

P/N A30-16-2 Cf-252 SOURCE ASSEMBLY (WIRE ACTIVE ELEMENT)

 Eckert & Ziegler Isotope Products VALENCIA, CALIFORNIA 91355	CAGE CODE 32993 DRAWING SIZE LETTER <small>UNLESS OTHERWISE SPECIFIED DIMENSIONS ARE IN INCH SIZES. METRIC UNITS [mm] ARE IN MILLIMETERS.</small>		DRAWN JJK ME/CHECKER EZ	TITLE Cf-252 SOURCE	SERIES TITLE INDUSTRIAL SOURCES, NEUTRON	DRAWING NO. 30-16 REV A SHEET 4 OF 6
	<small>TOLERANCES (UNLESS OTHERWISE SPECIFIED) X.XXX ± .002 INCH ANGULAR TOLERANCE OF 0°±30° X.XX ± .005 INCH FRACTIONAL DIMENSIONS ± 1/32" XX ± .03 INCH REFERENCE DIMENSIONS (I) N/A X. ± .1 INCH SURFACE ROUGHNESS μINCH MAX</small>		ENGINEER EZ/JJK SCALE 4:1	(0.925 [23.50]) (0.775 [19.69]) (0.358 [9.09]) (0.487 [12.37]) (0.370 [9.40])		



U.S. Department of
Transportation

**Pipeline and
Hazardous Materials
Safety Administration**

East Building, PHH-23
1200 New Jersey Ave, SE
Washington, D.C. 20590

CERTIFICATE NUMBER: USA/0804/S-96

ORIGINAL REGISTRANT(S) :

Eckert & Ziegler Isotope Products
24937 Avenue Tibbitts
Valencia, CA, 91355
USA