

MINISTRY OF TRANSPORT  
 STATE SECRETARY FOR TRANSPORT  
 DIRECTORATE FOR INLAND CARRIAGE  
 CARRIAGE OF DANGEROUS MATERIALS

Paris, March 23, 1979;  
 35,37, rue Fremicourt  
 75775 Paris Cedex 16  
 Phone : 567.35.90

Reference to recall :  
 3428/a

F/029/S

April 11, 1979;

PATTERN APPROVAL  
 OF A RADIOACTIVE SOURCE  
 IN A SPECIAL FORM.

The competent French authority,

- Having regard to the Regulation for the carriage of dangerous materials (decree of June 24, 1974) articles 790 2.3.1 and 2.3.2.;
- Having regards to the I.A.E.A. recommendations (1973 edition), subparagraphs 135 -726 to 737;
- Having regard to the European agreement relating to the international carriage of dangerous goods by road (A.D.R.), marginal notes 2700 - 3640 to 3642;
- Having regard to annex 1 referred to as the International Regulation concerning the carriage of dangerous goods by rail (R.I.D.) in the International Convention concerning the carriage of goods by rail;
- Having regards to I.A.T.A. Regulation for air transport of regulated articles, marginal notes 2 - 18 and annex VI of part 2;
- Having regard to the International Maritime Code of dangerous goods of the Intergovernmental Sea Transport Consultative Organization (I.M.C.O.), subparagraphs 2.10 and 9.3.1., class 7;
- Having regard to the application filed by the Belgian Atomic Energy Commission in letter CST N° 100 dated February 14, 1979; and the technical file of the National Test Laboratory enclosed in support thereof :

Record N° 2	Test N° 202058
Record N° 11	Test N° 162953
Record N° 4	Test N° 402088
Record N° 2	Test N° 101219

for obtention of the pattern approval of the AME type radioactive source in a special form.

HAS DECIDED :

The AME type radioactive source in a special form is approved as a radioactive source in special form.

N° 3428/a

F/029/S

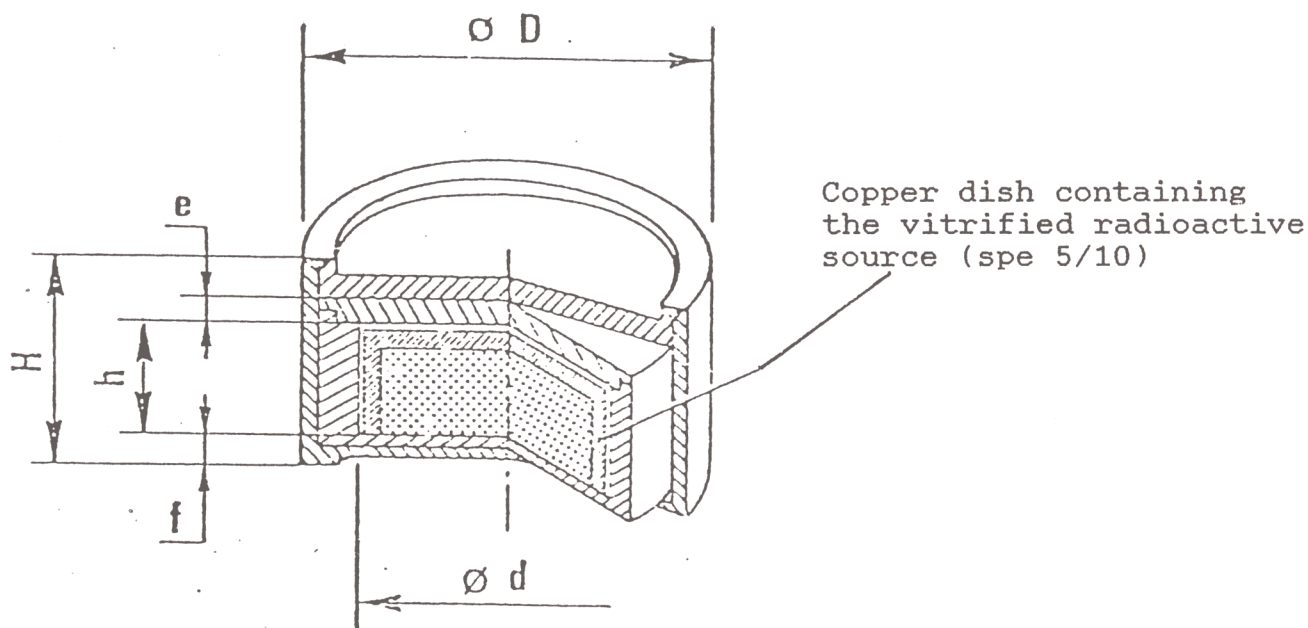
These source consist of Americium oxide 241 or Plutonium oxide 238 or 239 or Curium oxide 244 tablets or powder and of powder made up of graphite or of the oxide of these radio-elements included in a glass or in a ceramic article.

They are contained in an airtight double stainless steel casing (see drawing opposite).

The outer diameter of these casing range between 8 and 45 mm according to the models :

AME1 : 8 mm  
 AME2 : 11 mm  
 AME3 : 22 mm  
 AME4 : 30 mm  
 AME5 : 36 mm  
 AME6 : 45 mm

Maximum activity can attain 10 Curies.



Capsule references		Dimensions (mm)						Maximum Activity (Ci)
		D	H	d	f	h	e	
AME-1	Former designation AME-1-B	8	8	4	0.3	2.85	3	0.03
AME-2	AME-2-B	11	8	7	0.3	2.85	3	0.1
AME-3	AME-3-B	16	8	12	0.3	2.85	3	0.3
AME-4	AME-3-C	22	6	18	0.3	1.35	2.5	0.6
AME-5	AME-4-B	30	10	25	0.4	3.3	4	1
AME-6	AME-5-B	36	10	31	0.4	4.3	3.5	3
AME-7	AME-6-B	45	10	40	0.4	4.3	3.5	25