



U.S. Department
of Transportation

Pipeline and
Hazardous Materials
Safety Administration

East Building, PHH-23
1200 New Jersey Ave, SE
Washington, D.C. 20590

IAEA CERTIFICATE OF COMPETENT AUTHORITY
SPECIAL FORM RADIOACTIVE MATERIALS

CERTIFICATE USA/0065/S-96, REVISION 11

This certifies that the source described has been demonstrated to meet the regulatory requirements for special form radioactive material as prescribed in the regulations of the International Atomic Energy Agency¹ and the United States of America² for the transport of radioactive material.

1. Source Identification - Model SR CF-1000 Series neutron sources manufactured by either the Savannah River Laboratory or the Oak Ridge National Laboratory.
2. Source Description - Cylindrical single encapsulation made of Type 304L stainless steel and inert gas seal welded. Approximate outer dimensions are 30.2 mm (1.19 in.) in diameter and 95.3 mm (3.75 in.) in length. A lifting stem on one end measures an additional 44.5 mm (1.75 in.) in length. Minimum wall thickness is 1.15 mm (0.045 in.). Construction shall be in accordance with attached E.I. Du Pont De Nemours and Co., Inc. Drawing No. ST3-18567, dated 9/10/75.
3. Radioactive Contents - No more than 1.9 TBq (52.0 Ci) of Californium-252 in the form of an oxide or cermet.
4. Management System Activities - Records of Management System activities required by Paragraph 306 of the IAEA regulations shall be maintained and made available to the authorized officials for at least three years after the last shipment authorized by this certificate. Consignors in the United States exporting shipments under this certificate shall satisfy the requirements of Subpart H of 10 CFR 71.

¹ "Regulations for the Safe Transport of Radioactive Material, 2012 Edition, No. SSR-6" published by the International Atomic Energy Agency (IAEA), Vienna, Austria.

² Title 49, Code of Federal Regulations, Parts 100-199, United States of America.

CERTIFICATE USA/0065/S-96, REVISION 11

5. Expiration Date - This certificate expires on June 30, 2025. Previous editions which have not reached their expiration date may continue to be used.

This certificate is issued in accordance with paragraph(s) 804 of the IAEA Regulations and Section 173.476 of Title 49 of the Code of Federal Regulations, in response to the May 1, 2020 petition by Department of Energy, Washington, DC, and in consideration of other information on file in this Office.

Certified By:



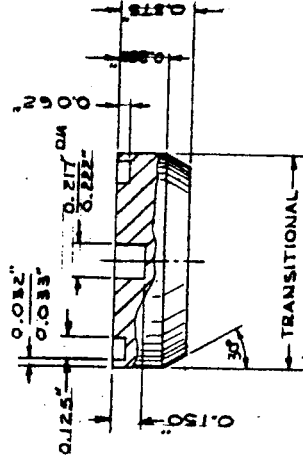
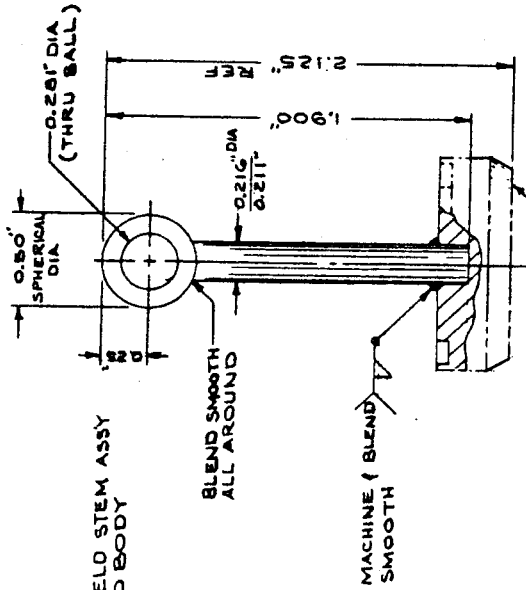
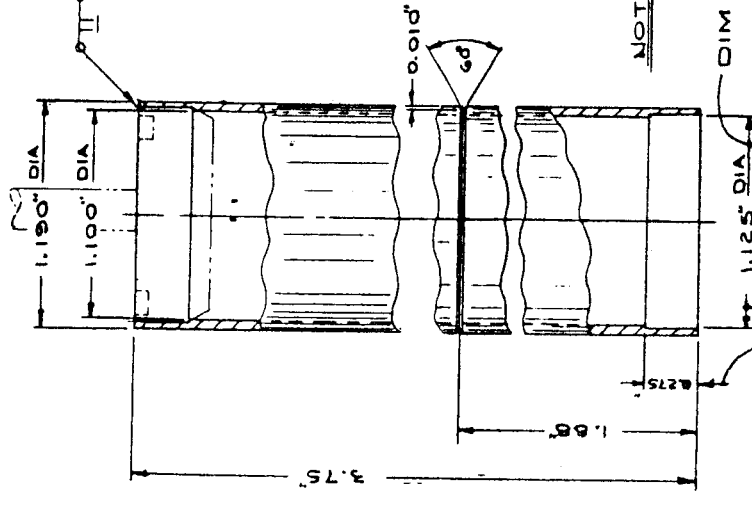
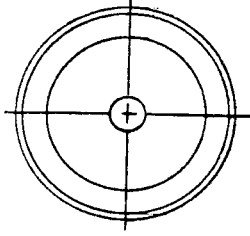
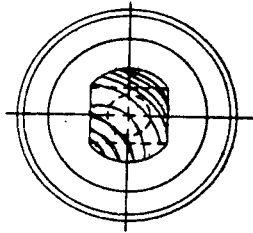
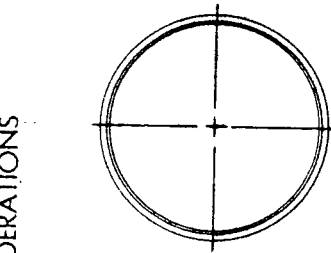
June 12, 2020
(DATE)

WJS

William Schoonover
Associate Administrator for Hazardous
Materials Safety

Revision 11 - Issued to extend the expiration date.

Analyze this part for
SAFETY CONSIDERATIONS



TRANSITIONAL LOCATIONAL FIT WITH DIM "A"

CAP

MAT'L: 304 L SST ST3-18567
REQ'D: 1-AS SHOWN
1-WITHOUT 0.217/0.222 DIA

STEM & BALL
MAT'L: 17-4PH SST
REQ'D: 1

NOTE:
1- BUFF - POLISH ALL OUTSIDE SURFACES, ALL PIECES.

DIM "A"

TYPICAL BOTH ENDS

BODY
MAT'L: 304 L SST
REQ'D: 1

| | |
|--|--|
| FINISH ALL MACHINED SURFACES U O S | TOLERANCES ON ALL DIMENSIONS UNLESS OTHERWISE NOTED SHALL BE ONE PLACE DECIMALS OR FRACTIONAL ± 0.005 ANGULAR ± 0.50 |
| BREAK ALL SHARP EDGES U O S | ONE PLACE DECIMALS OR FRACTIONAL ± 0.005 ANGULAR ± 0.50 |
| PH FINISHES IN THIS DRAWING SHALL BE TO THE ACCEPTABLE EQUIVALENT VALUE BY A. A. WELD INCHES | |

U. S. ATOMIC ENERGY COMMISSION
E. I. DU PONT DE NEMOURS & CO., INC.
SAVANNAH RIVER PLANT PROJECT

PROJECT NO. ST-318567

77-5-A

DATE 9-10-75 SCALE 2X FULL

SR-CF 1000 SERIES SHIPPING CONTAINER

ST3-18567

DR. CODE: 20-61-13-00-20

DESIGNED BY: A.R. BOULOGNE
CHECKED BY: H.G. NAYE
DATE: 9-9-75

APPROVED BY: [Signature]

~~THIS DRAWING CONTAINS INFORMATION PERTAINING TO THE SAFETY OF THE PUBLIC AND SHOULD BE KEPT SECRET AND NOT BE REPRODUCED OR RELEASED WITHOUT PRIOR APPROVAL.~~



U.S. Department of
Transportation

**Pipeline and
Hazardous Materials
Safety Administration**

East Building, PHH-23
1200 New Jersey Ave, SE
Washington, D.C. 20590

CERTIFICATE NUMBER: USA/0065/S-96

ORIGINAL REGISTRANT(S) :

Department of Energy
U.S. Department of Energy
1000 Independence Ave, SW
EM-60
Washington, DC, 20585
USA