



U.S. Department  
of Transportation

Pipeline and  
Hazardous Materials  
Safety Administration

East Building, PHH-23  
1200 New Jersey Ave, SE  
Washington, D.C. 20590

IAEA CERTIFICATE OF COMPETENT AUTHORITY  
SPECIAL FORM RADIOACTIVE MATERIALS

CERTIFICATE USA/0071/S-96, REVISION 9

This certifies that the source described has been demonstrated to meet the regulatory requirements for special form radioactive material as prescribed in the regulations of the International Atomic Energy Agency<sup>1</sup> and the United States of America<sup>2</sup> for the transport of radioactive material.

1. Source Identification - 3M Model 4D6L capsules manufactured prior to August 3, 1989.
2. Source Description - Cylindrical double encapsulation made of Type 304 stainless steel and inert gas seal welded. Approximate exterior dimensions are 12.7 mm (0.5 in.) in diameter and 38.1 mm (1.5 in.) in length. Construction shall have been in accordance with attached 3M Drawing No. 12-1921-0737-8.
3. Radioactive Contents - No more than 0.37 TBq (10 Ci) of Cesium-137 in the form of 3M Brand radiating ceramic microspheres.
4. Management System Activities - Records of Management System activities required by Paragraph 306 of the IAEA regulations shall be maintained and made available to the authorized officials for at least three years after the last shipment authorized by this certificate. Consignors in the United States exporting shipments under this certificate shall satisfy the requirements of Subpart H of 10 CFR 71.
5. Expiration Date - This certificate expires on April 30, 2024. Previous editions which have not reached their expiration date may continue to be used.

---

<sup>1</sup> "Regulations for the Safe Transport of Radioactive Material, 2012 Edition, No. SSR-6" published by the International Atomic Energy Agency (IAEA), Vienna, Austria.

<sup>2</sup> Title 49, Code of Federal Regulations, Parts 100-199, United States of America.

**CERTIFICATE USA/0071/S-96, REVISION 9**


This certificate is issued in accordance with paragraph(s) 804 of the IAEA Regulations and Section 173.476 of Title 49 of the Code of Federal Regulations, in response to the April 25, 2019 petition by Ronan Engineering Company, Florence, KY, and in consideration of other information on file in this Office.

Certified By:



May 03, 2019

(DATE)

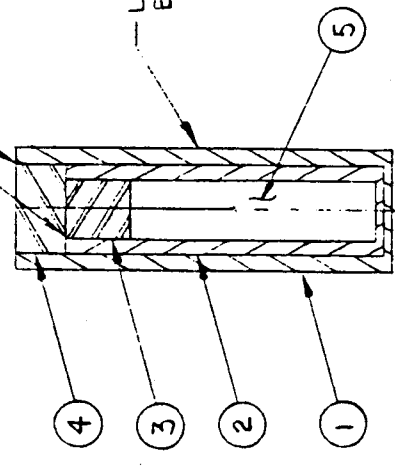
 William Schoonover  
Associate Administrator for Hazardous  
Materials Safety

Revision 9 - Issued to extend the expiration date.

09/11

05 B / 00 11/5

④ TIG



LABEL DATA  
ENGRAVE AS REQUIRED

ITEM	QTY	PART NO.	DESCRIPTION
1	1	B-12-1921-23487-7	OUTER CAPSULE
2	1	B-12-1921-3488-5	INNER CAPSULE
3	1	B-12-1921-2331-8	INNER PLUG
4	1	B-12-1921-2332-6	OUTER PLUG
5	AR		3M BRAND RADIATING MICROSPHERES CONTAINING ISOTOPE Cs-137



**USED ON**

© 3M COPYRIGHT 19 212  
This document is the copyrighted property of the 3M Company and may not be reproduced without 3M written permission or used for other than 3M authorized purposes.

OPERATION	PLACES IN DIMENSION		MAXIMUM SURFACE ROUGHNESS
	.00	.000	
MACHINING	±.1	±.08	±.008
CUT OFF (SAW, BURR, SHEAR)	±.1	±.04	///
WELDING	±	±	±
ANGULAR DIM	±.1	±.08	DRL CHUCK ZENDER
SCALE	2X	APP.	B



Engineering  
Division/3M  
St Paul,  
Minnesota 55101

F	OCT 27, 82	#1
	ECO B2-0380	
	REDRAWN FROM	
	H 2-3321-0737-2 G	
ISSUE	ISSUE DATE AND CHANGE RECORD	
TITLE	ASSEMBLY	
	VALUVE SOURCE	
	4D6L	
REV.		

PART NO.	12-1921-0737-8
----------	----------------



U.S. Department of  
Transportation

**Pipeline and  
Hazardous Materials  
Safety Administration**

East Building, PHH-23  
1200 New Jersey Ave, SE  
Washington, D.C. 20590

**CERTIFICATE NUMBER:** USA/0071/S-96

**ORIGINAL REGISTRANT(S) :**

J.L. Shepherd & Associates  
1010 Arroyo Ave.  
San Fernando, CA, 91340-1822  
USA

Ronan Engineering Company  
8050 Production Drive  
Florence, KY, 41042  
USA

VEGA Americas, Inc.  
4141 Rosslyn Drive  
Cincinnati, OH, 45209  
USA