



U.S. Department
of Transportation

Pipeline and
Hazardous Materials
Safety Administration

East Building, PHH-23
1200 New Jersey Ave, SE
Washington, D.C. 20590

IAEA CERTIFICATE OF COMPETENT AUTHORITY
SPECIAL FORM RADIOACTIVE MATERIALS

CERTIFICATE USA/0115/S-96, REVISION 13

This certifies that the source described has been demonstrated to meet the regulatory requirements for special form radioactive material as prescribed in the regulations of the International Atomic Energy Agency¹ and the United States of America² for the transport of radioactive material.

1. Source Identification - Gulf Nuclear, Inc. Model VL-1.
2. Source Description - The source is a doubly encapsulated heliarc-welded capsule of Type 304 or 17-4 PH stainless steel measuring 3.2 mm (0.125 in.) to 12.7 mm (0.5 in.) in diameter and 6.35 mm (0.25 in.) to 19.05 mm (0.75 in.) in length. The source is manufactured in accordance with attached Gulf Nuclear, Inc. Drawing No. D-13-X. Sources certified are only those manufactured by Gulf Nuclear, Inc. before July 7, 1997.
3. Radioactive Contents - This source consists of not more than 37 GBq (1.0 Ci) of Am-241 oxide in beryllium metal powder, 37 GBq (1.0 Ci) of Cs-137 in the form of cesium chloride, or 37 GBq (1.0 Ci) of a combination of Am-241 oxide in beryllium powder and Cs-137 as cesium chloride.
4. Management System Activities - Records of Management System activities required by Paragraph 306 of the IAEA regulations shall be maintained and made available to the authorized officials for at least three years after the last shipment authorized by this certificate. Consignors in the United States exporting shipments under this certificate shall satisfy the requirements of Subpart H of 10 CFR 71.

¹ "Regulations for the Safe Transport of Radioactive Material, 2012 Edition, No. SSR-6" published by the International Atomic Energy Agency (IAEA), Vienna, Austria.

² Title 49, Code of Federal Regulations, Parts 100-199, United States of America.

CERTIFICATE USA/0115/S-96, REVISION 13


5. Expiration Date - This certificate expires on November 30, 2026. Previous editions which have not reached their expiration date may continue to be used.

This certificate is issued in accordance with paragraph(s) 804 of the IAEA Regulations and Section 173.476 of Title 49 of the Code of Federal Regulations, in response to the November 1, 2021 petition by QSA Global, Inc., Burlington, MA, and in consideration of other information on file in this Office.

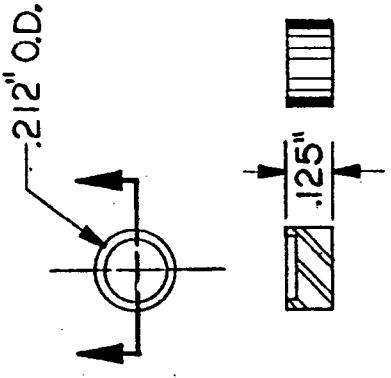
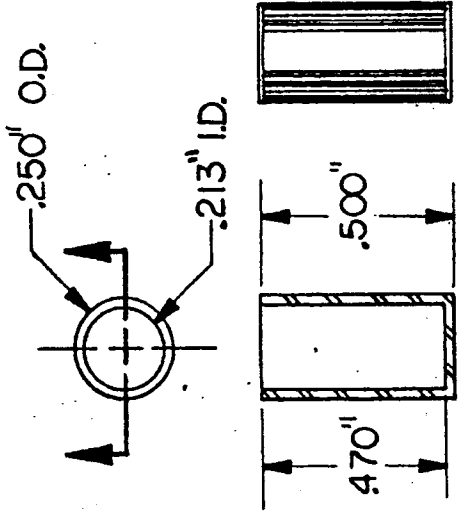
Certified By:



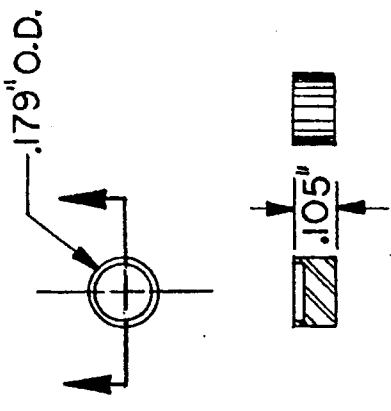
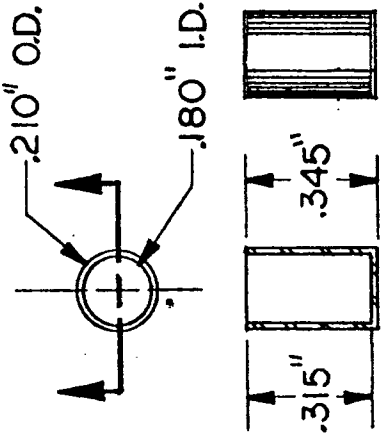
November 23, 2021
(DATE)

 William Schoonover
Associate Administrator for Hazardous
Materials Safety

Revision 13 - Issued to extend the expiration date.



OUTER CAPSULE AND LID



INNER CAPSULE AND LID

78

REVISIONS	
NO.	DATE BY
1	
2	
3	
4	
5	

GULF NUCLEAR, INC.

VL-1 CAPSULE

DRAWN BY	MPA	SCALE	2X1	MATERIAL	S.S.
CHK'D		DATE	4-8-82	DRAWING NO.	
TRACED		APP'D			D-13-X



U.S. Department of
Transportation

**Pipeline and
Hazardous Materials
Safety Administration**

East Building, PHH-23
1200 New Jersey Ave, SE
Washington, D.C. 20590

CERTIFICATE NUMBER: USA/0115/S-96

ORIGINAL REGISTRANT(S) :

QSA Global, Inc.
40 North Avenue
Burlington, MA, 01803
USA

Pathfinder Energy Services, Inc.
15151 Sommermeyer St.
Houston, TX, 77041
USA

Baker Hughes Baker Atlas
P. O. Box 670968
Houston, TX, 77267
USA

Halliburton
3000 North Sam Houston Parkway, East
Houston, TX, 77032
USA

Stuart Hunt & Associates Ltd
20 Rayborn Crescent St.
Alberta, Canada, T8N 5C1
Canada

U.S. Geologic Survey
Idaho Water Science Center, U.S. Geological Survey
Department of Interior
1955 N Fremont MS 4131
Idaho Falls, ID, 83415
USA

Colog, Inc.
810 Quail Street, Suite E
Lakewood, CO, 80215
USA