



U.S. Department
of Transportation

Research and
Special Programs
Administration

400 Seventh Street, S.W.
Washington, D.C. 20590

IAEA CERTIFICATE OF COMPETENT AUTHORITY
SPECIAL FORM RADIOACTIVE MATERIALS
CERTIFICATE NUMBER USA/0137/S, REVISION 4

This certifies that the source described has been demonstrated to meet the regulatory requirements for special form radioactive material as prescribed in the regulations of the International Atomic Energy Agency¹ and the United States of America² for the transport of radioactive materials.

1. Source Identification - 3M Model 4D6P source capsules manufactured prior to August 3, 1989.
2. Source Description - The source authorized by this certificate is a double encapsulation which is sealed with an inert gas weld and is constructed of Type 304 stainless steel. The outer capsule is 25.4 mm (1.0") in length and 12.7 mm (0.5") in diameter. All capsules shall have been constructed in accordance with 3M drawing no. 12-1921-1029-9 (attached).
3. Radioactive Contents - not more than 0.37 TBq (10 Ci) of Cesium-137 in the form of 3M Brand Radiating Ceramic Microspheres.
4. Quality Assurance - Records of Quality Assurance activities required by Paragraph 209 of the IAEA regulations¹ shall be maintained and made available to the authorized officials for at least three years after the last shipment authorized by this certificate. Consignors and consignees in the United States exporting or importing shipments under this certificate shall satisfy the requirements of Subpart H of 10 CFR 71.
5. Expiration Date - This certificate expires June 22, 2003.

This certificate is issued in accordance with paragraph 703 of the IAEA Regulations and Section 173.476 of Title 49 of the Code of Federal Regulations, in response to the petition and information dated January 10, 1997 and November 17, 1997 submitted by ICO, Houston, TX, and in consideration of other information on file in this Office.

Certified by:


Alan I. Roberts

Associate Administrator for Hazardous Materials Safety

JUN 25 1998

(DATE)

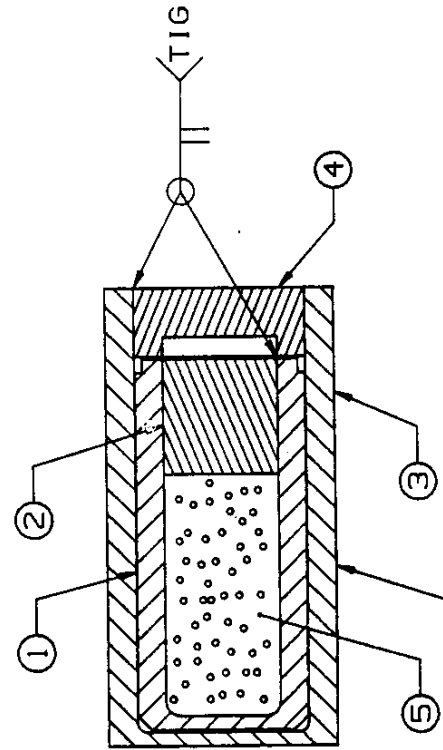
Revision 4 - issued to restrict new manufacture and to extend the expiration date of existing certification.

1 "Safety Series No. 6, Regulations for the Safe Transport of Radioactive Materials, 1985 Edition, as amended 1990", published by the International Atomic Energy Agency (IAEA), Vienna, Austria.

2 Title 49, Code of Federal Regulations, Parts 100 - 199, United States of America.

REV	ECO	DESCRIPTION	DRFT	CHKD
C	88-142	11/30/88 REDRAWN ON CAD CORRECTED ITEMS 1 & 4 SECTION VIEWS	TWB	
		CAD ADMINISTERED CHANGES ONLY JAN 89		

ITEM	PART NUMBER	QTY	DESCRIPTION
1	B12-1921-3452-1	1	INNER CAPSULE
2	B12-1921-2331-B	1	INNER PLUG
3	B12-1921-3454-7	1	OUTER CAPSULE
4	B12-1921-2332-6	1	OUTER PLUG
5	AR		3M BRAND RADIATING MICROSPHERES Cs-137



LABEL DATA ENGRAVE AS REQ'D

192
594

134

DESIGN REF	THIRD ANGLE PROJECTION 25.4MM=1 INCH ANGLES 0 ± .0 ± .00 ±	USED ON	INTERPRET THIS DRAWING PER ANSI Y14.5-1982 MAXIMUM SURFACE ROUGHNESS EXCEPT AS NOTED 63 REMOVE BURRS & SWAMP EDGES EXCEPT AS NOTED MATERIAL FINISH	DO NOT SCALE DRAWING	DIVISION	S & EMC	MODEL	4D6P
DRFT	TWB				TITLE	ASSEMBLY VOLUME SOURCE MODEL 4D6P 1 OF 1		
CHKD	J. B. S. / 12/88/88				DESIGNER			
PROJ ENGR					PROJ ENGR			
METHODS					METHODS			
APPR	J. V. Berman				APPR			
SIZE	B	DRAWING NO.	12-1921-1029-9		REV	E		

SCALE: 4/1