



U.S. Department  
of Transportation  
**Pipeline and  
Hazardous Materials  
Safety Administration**

**IAEA CERTIFICATE OF COMPETENT AUTHORITY  
SPECIAL FORM RADIOACTIVE MATERIALS  
CERTIFICATE USA/0263/S-96, REVISION 6**

East Building, PHH-23  
1200 New Jersey Avenue Southeast  
Washington, D.C. 20590

This certifies that the source described has been demonstrated to meet the regulatory requirements for special form radioactive material as prescribed in the regulations of the International Atomic Energy Agency<sup>1</sup> and the United States of America<sup>2</sup> for the transport of radioactive material.

1. Source Identification - Monsanto Research Corp. Model 24195 sources manufactured prior to December 1, 2001.
2. Source Description - Cylindrical double encapsulation made of Type 304 stainless steel with closure by tungsten inert gas welding. Approximate outer dimensions are 7.6 mm (0.3 in.) in diameter and 10.2 mm (0.4 in.) in length. An optional bent circular spring, spring washer, or disc may be inserted into the outer capsule to prevent rattling. Construction shall be in accordance with attached Monsanto Research Corp. Drawing No. A24195-AA00, Rev. 1.
3. Radioactive Contents - No more than 7.0 GBq (0.19 Ci) of Americium-241 or Plutonium-238 as an oxide mixed with beryllium, boron, lithium, or fluorine.
4. Quality Assurance - Records of Quality Assurance activities required by Paragraph 310 of the IAEA regulations<sup>1</sup> shall be maintained and made available to the authorized officials for at least three years after the last shipment authorized by this certificate. Consignors in the United States exporting shipments under this certificate shall satisfy the applicable requirements of Subpart H of 10 CFR 71.
5. Expiration Date - This certificate expires on August 31, 2021.

---

<sup>1</sup> "Regulations for the Safe Transport of Radioactive Material, 1996 Edition (Revised), No. TS-R-1 (ST-1, Revised)," published by the International Atomic Energy Agency (IAEA), Vienna, Austria.

<sup>2</sup> Title 49, Code of Federal Regulations, Parts 100-199, United States of America.

**CERTIFICATE USA/0263/S-96, REVISION 6**

This certificate is issued in accordance with paragraph 804 of the IAEA Regulations and Section 173.476 of Title 49 of the Code of Federal Regulations, in response to the August 01, 2016 petition by Troxler Electronic Laboratories, Research Triangle Park, NC, and in consideration of other information on file in this Office.

Certified By:



**Aug 26 2016**

(DATE)

 \_\_\_\_\_  
William Schoonover

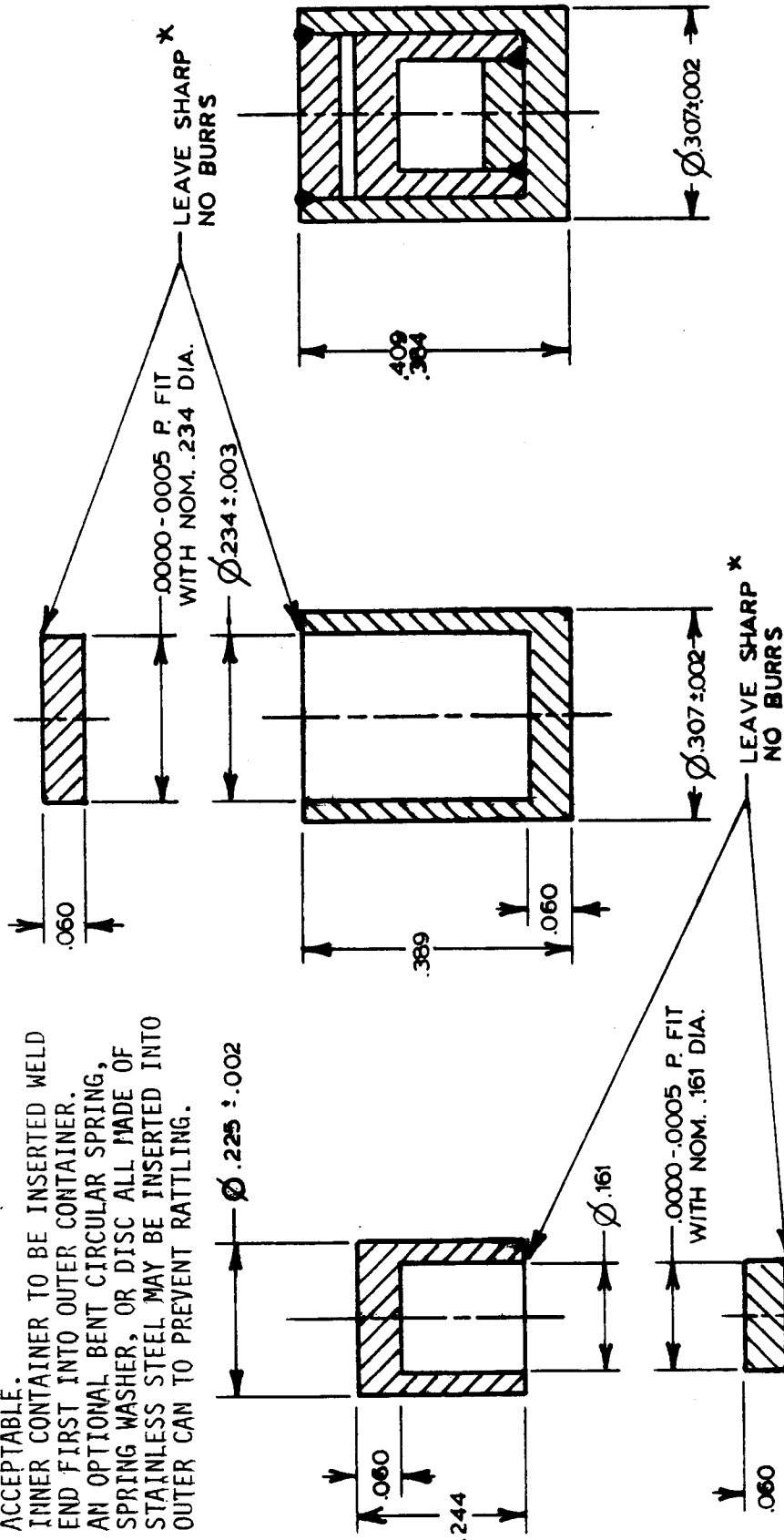
Acting Associate Administrator for Hazardous Materials Safety

Revision 6 - Issued to extend the expiration date.

- NOTES:
1. MIN. WELD PENETRATION .020" ON EACH CONTAINER.
  2. UNLESS OTHERWISE SPECIFIED  
BREAK OUTSIDE CORNERS .010 - .020\*  
RADIUS INSIDE CORNERS .010\*
  3. \*INDICATES VISUAL INSPECTION IS ACCEPTABLE.
  4. INNER CONTAINER TO BE INSERTED WELD END FIRST INTO OUTER CONTAINER.
  5. AN OPTIONAL BENT CIRCULAR SPRING, SPRING WASHER, OR DISC ALL MADE OF STAINLESS STEEL MAY BE INSERTED INTO OUTER CAN TO PREVENT RATTLING.

REVISIONS

SYM.	DESCRIPTION	DATE	DE	MFG	QA	MS
△	ADDED NOTE 5	5-5-83	JAB	HC	CEG	MRK



INNER

OUTER

ASSEMBLY

DIMENSIONS ARE IN INCHES □ MILLIMETERS

UNLESS OTHERWISE SPECIFIED  
TOLERANCES:  
DECIMALS FRACTIONS  
XX ± .02 ±  
XXX ± .005 ANGLES  
XXXX BASIC ±  
ALL SURFACES 32

MS	QA	MFG	DE	DRAWN	SIGNATURE	DATE
				JAB	HAM	8-13-82
						8/19/82
						8/17/82
						8/17/82

MONSANTO RESEARCH CORPORATION  
DAYTON LABORATORY  
DAYTON, OHIO

NEUTRON SOURCE CONTAINER  
MODEL 24195

DWG. NO.	REV.
A24195-AA00	1
SHEET	OF



U.S. Department  
of Transportation

East Building, PHH-23  
1200 New Jersey Avenue SE  
Washington, D.C. 20590

**Pipeline and  
Hazardous Materials  
Safety Administration**

**CERTIFICATE NUMBER:** USA/0263/S-96, Revision 6

**ORIGINAL REGISTRANT(S):**

Mr. Henry Barnes  
Corporation Radiation Safety Officer  
Troxler Electronic Laboratories  
P.O. Box 12057  
3008 Cornwallis Road  
Research Triangle Park, 27709  
USA

**REGISTERED USER(S):**

Sean Hunt  
Stuart Hunt & Associates Ltd  
20 Rayborn Crescent St.  
Alberta, Canada T8N 5C1  
Canada

Cameron Musgrave  
Senior Radiation Safety Technician, Quality Management Representative  
Stuart Hunt & Associates Ltd  
5949 Ambler Drive  
Mississauga, Ontario L4W 2K2  
Canada