



U.S. Department
of Transportation
**Research and
Special Programs
Administration**

**IAEA CERTIFICATE OF COMPETENT AUTHORITY
SPECIAL FORM RADIOACTIVE MATERIALS
CERTIFICATE NUMBER USA/0394/S, REVISION 2**

400 Seventh Street, S.W.
Washington, D.C. 20590

This certifies that the source described has been demonstrated to meet the regulatory requirements for special form radioactive material as prescribed in the regulations of the International Atomic Energy Agency¹ and the United States of America² for the transport of radioactive materials.

1. Source Identification - Amersham Corporation Model No. 922
2. Source Description - The source described by this certificate is a single encapsulation constructed of 304 or 304L stainless steel and sealed by tungsten inert gas weld. The outside dimensions are 6.0 mm (0.24") in length by 6.2 mm (0.245") in diameter. The minimum wall thickness is 1.0 mm (.041"). All sources shall be manufactured in accordance with Amersham drawing No. 92201 (attached).
3. Radioactive Contents - This source consists of not more than 8.9 TBq (240 Ci) of Ir-192 in the form of metallic wafers or pellets.
4. Quality Assurance - Records of Quality Assurance activities required by Paragraph 209 of the IAEA regulations¹ shall be maintained and made available to the authorized officials for at least three years after the last shipment authorized by this certificate. Consignors and consignees in the United States exporting or importing shipments under this certificate shall satisfy the requirements of Subpart H of 10 CFR 71.
5. Expiration Date - This certificate expires October 31, 2003.

This certificate is issued in accordance with paragraph 703 of the IAEA Regulations and Section 173.476 of Title 49 of the Code of Federal Regulations, in response to the petition and information dated August 24, 1998 submitted by AEA Technology, Burlington, MA, and in consideration of other information on file in this Office.

Certified by:

Alan I. Roberts
Associate Administrator for Hazardous Materials Safety

OCT 16 1998

(DATE)

Revision 2 - Issued to update to the 1985 regulations and to extend the expiration date.

1 "Safety Series No. 6, Regulations for the Safe Transport of Radioactive Materials, 1985 Edition, as amended 1990", published by the International Atomic Energy Agency (IAEA), Vienna, Austria.

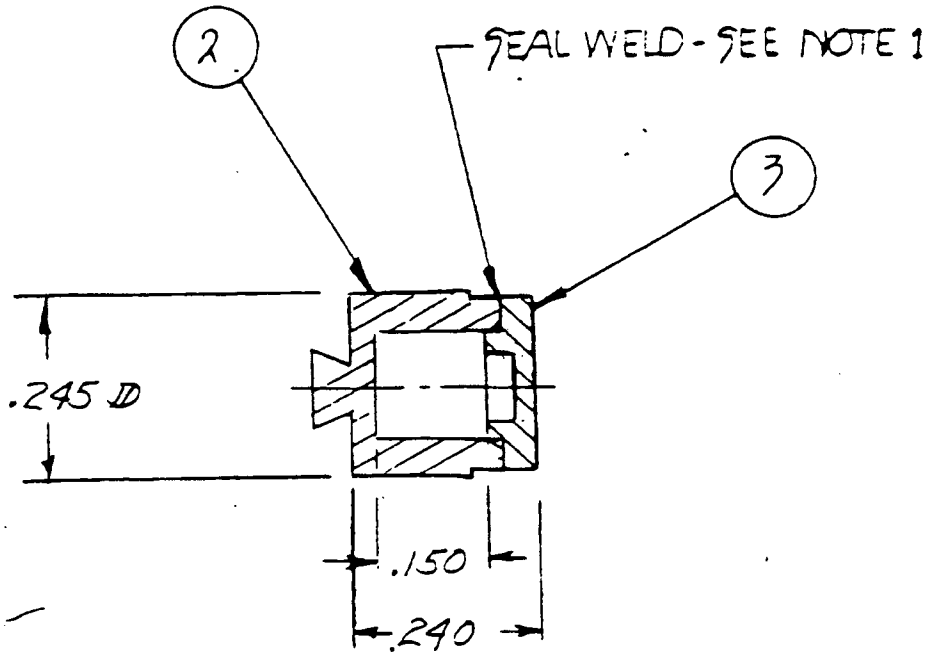
2 Title 49, Code of Federal Regulations, Parts 100 - 199, United States of America.

A92201

REV

DATE

DESCRIPTION



NOTES:

1. WELD PER AMERSHAM RADIATION SAFETY MANUAL PART B, SECTION 2.

USED ON E21-1001-019B

RELEASED FOR PRODUCTION ON _____ BY _____

MATERIALS SEE B/A 92201



Amersham Corporation
BURLINGTON MA 01803

FINISH _____

DWG TITLE

GAMMA SOURCE CAPSULE (PL-2)

DRAWN BY [Signature]

UNLESS OTHERWISE SPECIFIED TOLERANCES ARE	
.X	= 0.1
.XX	= 0.01
.XXX	= 0.005

CHECKED BY _____

ANGLES	= 0.5°
FRACTIONS	= 1/64

APPROVED BY _____

CLASSIFICATION	SIZE	DWG NO
	<u>A</u>	<u>92201</u>
SCALE	<u>4:1</u>	SHEET <u>1</u> OF <u>1</u>