



U.S. Department
of Transportation

Pipeline and
Hazardous Materials
Safety Administration

East Building, PHH-23
1200 New Jersey Ave, SE
Washington, D.C. 20590

IAEA CERTIFICATE OF COMPETENT AUTHORITY
SPECIAL FORM RADIOACTIVE MATERIALS

CERTIFICATE USA/0419/S-96, REVISION 6

This certifies that the source described has been demonstrated to meet the regulatory requirements for special form radioactive material as prescribed in the regulations of the International Atomic Energy Agency¹ and the United States of America² for the transport of radioactive material.

1. Source Identification - 3M Model 4P6E source capsules manufactured prior to August 3, 1989.
2. Source Description - Cylindrical double encapsulation constructed of Type 304 stainless steel and tungsten inert gas welded. Approximate outer dimensions are 7.1 mm (0.28 in.) in diameter and 19.1 mm (0.75 in.) in length. Construction shall be in accordance with attached 3M Company Drawing No. 12-1921-0683-4.
3. Radioactive Contents - No more than 74.0 GBq (2.0 Ci) of Cesium-137 in the form of ceramic microspheres.
4. Management System Activities - Records of Management System activities required by Paragraph 306 of the IAEA regulations shall be maintained and made available to the authorized officials for at least three years after the last shipment authorized by this certificate. Consignors in the United States exporting shipments under this certificate shall satisfy the requirements of Subpart H of 10 CFR 71.
5. Expiration Date - This certificate expires on May 31, 2025. Previous editions which have not reached their expiration date may continue to be used.

¹ "Regulations for the Safe Transport of Radioactive Material, 2012 Edition, No. SSR-6" published by the International Atomic Energy Agency (IAEA), Vienna, Austria.

² Title 49, Code of Federal Regulations, Parts 100-199, United States of America.

CERTIFICATE USA/0419/S-96, REVISION 6

This certificate is issued in accordance with paragraph(s) 804 of the IAEA Regulations and Section 173.476 of Title 49 of the Code of Federal Regulations, in response to the April 15, 2020 petition by J.L. Shepherd & Associates, San Fernando, CA, and in consideration of other information on file in this Office.

Certified By:



May 13, 2020

(DATE)

 William Schoonover
Associate Administrator for Hazardous
Materials Safety

Revision 6 - Issued to extend the expiration date.

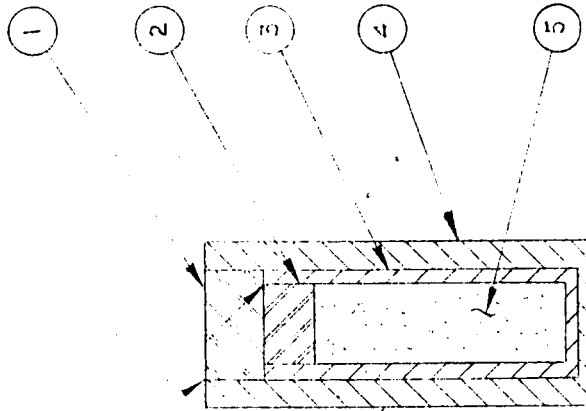


FIG 1

LABEL DATA
ENGRAVE AS REQ

ITEM	QTY	PART NO.	DESCRIPTION
1	1	B-12-1921-3489-3	OUTER PLUG
2	1	B-12-1921-3490-1	INNER PLUG
3	1	B-12-1921-3522-1	INNER CAPSULE
4	1	B-12-1921-3523-9	OUTER CAPSULE
5	AR		3M BRAND RADIATING MICROSPHERES CONTAINING Cs-137 ISOTOPE



USED ON

© 3M COPYRIGHT 1982

This document is the copyrighted property of the 3M Company and may not be reproduced without 3M written permission or used for other than 3M authorized purposes.

TOLERANCE AND SURFACE ROUGHNESS UNLESS NOTED

OPERATION	PLACES IN DIMENSION		MAXIMUM ROUGHNESS
	.0	.00	
MACHINING	±.1	±.02	±.005
CUT-OFF (SAW, BURN, SHEAR)	±.1	±.04	///
WELDING	±	±	±
ANGULAR DIM.	±.1	±.06	DR. CHUCK ZENDER
SCALE	4X	CH. DRAKE	APP. <i>Scatter</i>



Engineering
Division/3M
St. Paul,
Minnesota 55101

F	NOV 2, 82	ISSUE DATE AND CHANGE RECORD	REV.	CHG.
	ECO 82-0080			
	DRAWN FROM B-653 REV 5			

TITLE

ASSEMBLY
VOLUME SOURCE
4 PAGE

PART NO.
12-1921-0683-4



U.S. Department of
Transportation

**Pipeline and
Hazardous Materials
Safety Administration**

East Building, PHH-23
1200 New Jersey Ave, SE
Washington, D.C. 20590

CERTIFICATE NUMBER: USA/0419/S-96

ORIGINAL REGISTRANT(S) :

J.L. Shepherd & Associates
1010 Arroyo Ave.
San Fernando, CA, 91340-1822
USA