



U.S. Department
of Transportation
**Pipeline and
Hazardous Materials
Safety Administration**

**IAEA CERTIFICATE OF COMPETENT AUTHORITY
SPECIAL FORM RADIOACTIVE MATERIALS
CERTIFICATE USA/0518/S-96, REVISION 5**

East Building, PHH-23
1200 New Jersey Avenue Southeast
Washington, D.C. 20590

This certifies that the sources described have been demonstrated to meet the regulatory requirements for special form radioactive material as prescribed in the regulations of the International Atomic Energy Agency¹ and the United States of America² for the transport of radioactive material.

1. Source Identification - Eckert & Ziegler Isotope Products source capsule Models 3908 and P04.
2. Source Description - Cylindrical double encapsulations made of stainless steel and fusion seal welded. Approximate outer dimensions are 8.0 mm (0.315 in.) in diameter and 12.0 mm (0.472 in.) in length. Construction shall be in accordance with attached Isotope Product Laboratories Drawing 3908, Rev. 1, Sheet 3 of 8 (Model 3908) or Eckert & Ziegler Isotope Products Drawing No. 3044-REG, Rev. A, Sheet 1 of 1 (Model P04).
3. Radioactive Contents - Not more than either 296.0 GBq (8.0 Ci) of Cobalt-60 or 444.0 GBq (12.0 Ci) of Cesium-137. The Co-60 and Cs-137 are in the form of a chloride, nitrate or oxide in ceramic; oxides in metal; or a combination of the above.
4. Quality Assurance - Records of Quality Assurance activities required by Paragraph 310 of the IAEA regulations¹ shall be maintained and made available to the authorized officials for at least three years after the last shipment authorized by this certificate. Consignors in the United States exporting shipments under this certificate shall satisfy the applicable requirements of Subpart H of 10 CFR 71.
5. Expiration Date - This certificate expires on January 31, 2021.

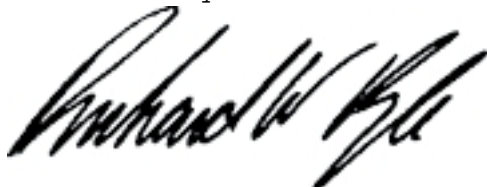
¹ "Regulations for the Safe Transport of Radioactive Material, 1996 Edition (Revised), No. TS-R-1 (ST-1, Revised)," published by the International Atomic Energy Agency (IAEA), Vienna, Austria.

² Title 49, Code of Federal Regulations, Parts 100-199, United States of America.

CERTIFICATE USA/0518/S-96, REVISION 5


This certificate is issued in accordance with paragraph 804 of the IAEA Regulations and Section 173.476 of Title 49 of the Code of Federal Regulations, in response to the December 23, 2015 petition by Eckert & Ziegler Isotope Products, Valencia, CA, and in consideration of other information on file in this Office.

Certified By:



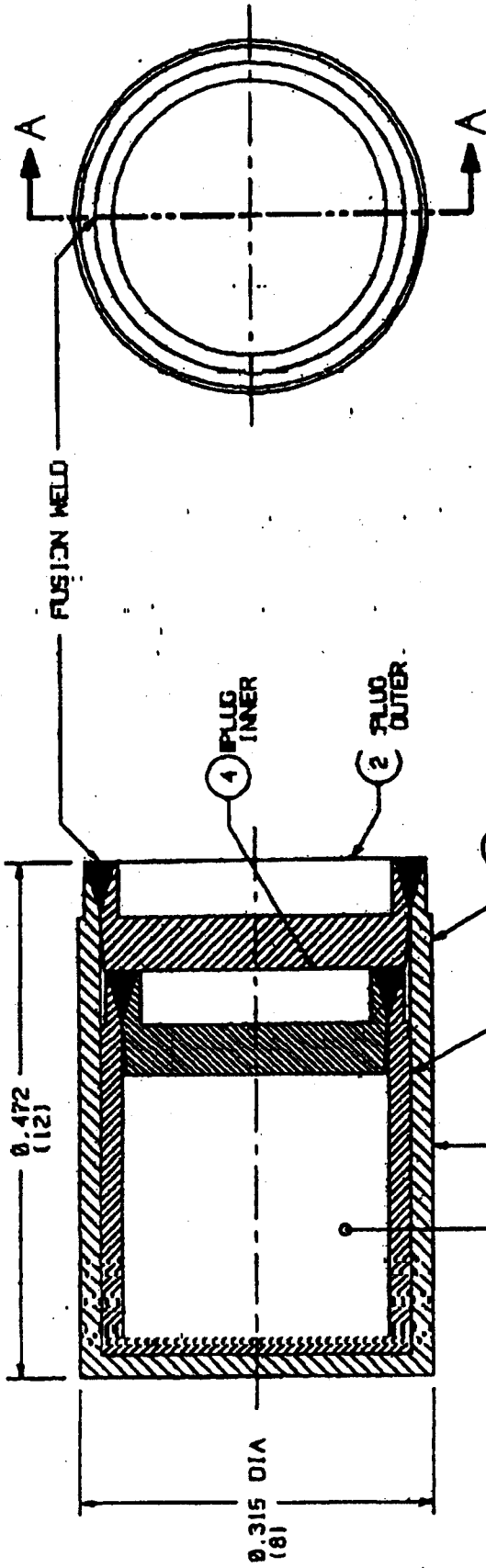
Jan 25 2016

(DATE)

 Dr. Magdy El-Sibaie

Associate Administrator for Hazardous Materials Safety

Revision 5 - Issued to extend the expiration date.



ACTIVE ELEMENT
0.236 DIA x 3.236

△
IPL
XXXX
XXXX
XXXX

SECTION A-A

5. INDIVIDUALLY PACKAGE AND IDENTIFY PART NUMBER THEREON

△ ENGRAVE CHARACTERS 0.030 HIGH x 0.003 DEEP MAX AS SHOWN ON CIRCUMFERENCE: (BLACK FILL)

IR
NUCLIDE
ACTIVITY
SERIAL NUMBER

3. TOLERANCES:

mm: 0.XXX ± 0.050, 0.00 ± 0.25, 0.X ± 2.5, ANGLE ± 0.5°

2. () DIMENSIONS ARE 3/4 MILLIMETERS

1. ASSEMBLE COMPLETE PER ENGINEERING DRAWING AND TIG WELD AS INDICATED

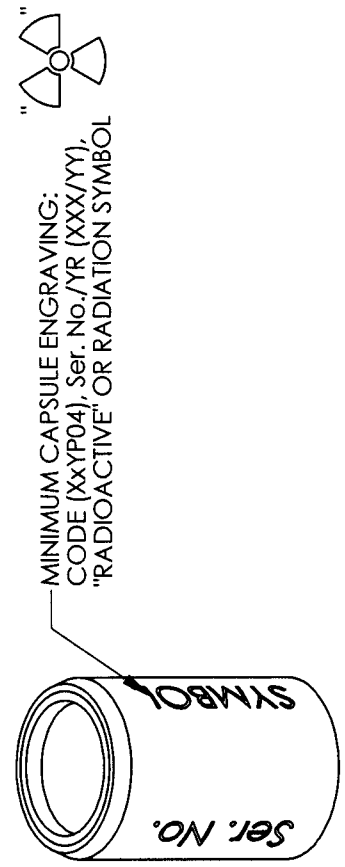
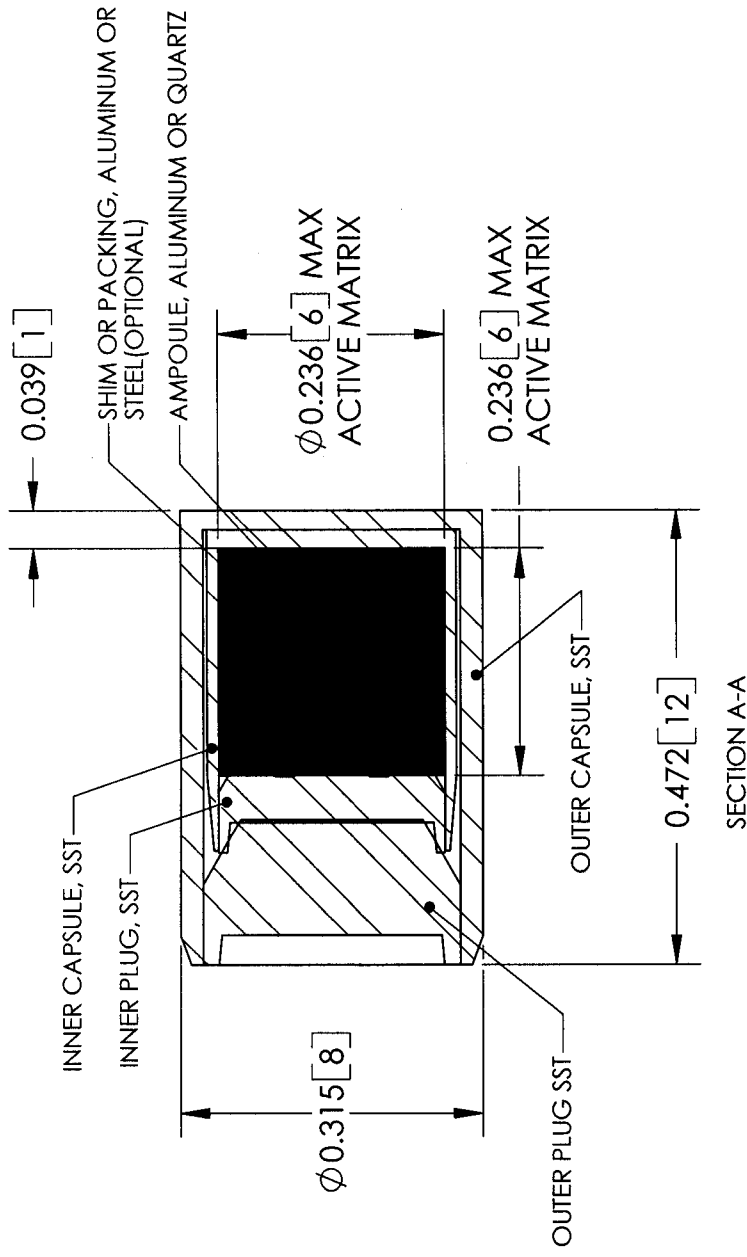
NOTE: UNLESS OTHERWISE SPECIFIED

THIS DRAWING IS THE PROPERTY OF ISOTOPE PRODUCTS LABORATORIES AND MAY NOT BE REPRODUCED OR TRANSMITTED IN ANY FORM OR BY ANY MEANS, ELECTRONIC OR MECHANICAL, INCLUDING PHOTOCOPYING, RECORDING, OR BY ANY INFORMATION STORAGE AND RETRIEVAL SYSTEM.

P/N: A3908 ASSEMBLY

ISOTOPE PRODUCTS LABORATORIES
BURBANK, CALIFORNIA 91504

UNLESS OTHERWISE SPECIFIED DIMENSIONS ARE IN INCHES	DATE: 07/12/95	APPROVED: [Signature]	DESIGNED: JMD/RLT
TOLERANCES ON ANGLES FINISH: 1/8 ± 0.015, 1/16 ± 0.010, 1/32 ± 0.005	TITLE: HIGH LEVEL GAMMA SOURCE	REV: 010: 1	SCALE: NTS
THREAD ANGLES: 60°	SERIES: CUSTOM SOURCES (290 SERIES)	SHEET: 3 OF 8	DRAWING NUMBER: 3908



UNLESS OTHERWISE SPECIFIED DIMENSIONS ARE IN INCH-SIZES. METRIC UNITS [mm] ARE IN MILLIMETERS.

TITLE
MODEL P04 SERIES

ENGINEERING
(DRWG/DSGN)
JKK / EZ

SCALE
NONE

CAGE CODE
32993

DRAWING NO.
3044-REG

REV
A

SHEET
1 OF 1



Eckert & Ziegler

Isotope Products

Valencia, California 91355



U.S. Department
of Transportation

East Building, PHH-23
1200 New Jersey Avenue SE
Washington, D.C. 20590

**Pipeline and
Hazardous Materials
Safety Administration**

CERTIFICATE NUMBER: USA/0518/S-96, Revision 5

ORIGINAL REGISTRANT(S):

Ms. Frida Tan
Regulatory Affairs Manager
Eckert & Ziegler Isotope Products
24937 Avenue Tibbitts
Valencia, 91355
USA