



U.S. Department
of Transportation
**Pipeline and
Hazardous Materials
Safety Administration**

**IAEA CERTIFICATE OF COMPETENT AUTHORITY
SPECIAL FORM RADIOACTIVE MATERIALS
CERTIFICATE USA/0544/S-96, REVISION 4**

East Building, PHH-23
1200 New Jersey Avenue Southeast
Washington, D.C. 20590

This certifies that the source described has been demonstrated to meet the regulatory requirements for special form radioactive material as prescribed in the regulations of the International Atomic Energy Agency¹ and the United States of America² for the transport of radioactive material.

1. Source Identification - Industrial Nuclear Company, Inc. (formerly CIS-US, Inc.) Model 789.
2. Source Description - Cylindrical single encapsulation constructed of Type 316 or Type 316L stainless steel and tungsten inert gas seal welded. Approximate outer dimensions are 4.0 mm (0.16 in.) and 6.0 mm (0.24 in.) in diameter and 15.0 mm (0.59 in.) in overall length. A flat tab measuring 5.0 mm (0.2 in.) in length is attached to the larger diameter end. Wall thickness of the active area smaller diameter end is 0.4 mm (0.02 in.). Construction shall be in accordance with attached Industrial Nuclear Co., Inc. Drawing No. 78900, Rev. 1.
3. Radioactive Contents - No more than 8.88 TBq (240.0 Ci) of Iridium-192. The Ir-192 is in solid metallic form.
4. Quality Assurance - Records of Quality Assurance activities required by Paragraph 310 of the IAEA regulations¹ shall be maintained and made available to the authorized officials for at least three years after the last shipment authorized by this certificate. Consignors in the United States exporting shipments under this certificate shall satisfy the applicable requirements of Subpart H of 10 CFR 71.
5. Expiration Date - This certificate expires on September 30, 2021.

¹ "Regulations for the Safe Transport of Radioactive Material, 1996 Edition (Revised), No. TS-R-1 (ST-1, Revised)," published by the International Atomic Energy Agency(IAEA), Vienna, Austria.

² Title 49, Code of Federal Regulations, Parts 100-199, United States of America.

CERTIFICATE USA/0544/S-96, REVISION 4


This certificate is issued in accordance with paragraph 804 of the IAEA Regulations and Section 173.476 of Title 49 of the Code of Federal Regulations, in response to the September 12, 2016 petition by Industrial Nuclear Company, Inc., San Leandro, CA, and in consideration of other information on file in this Office.

Certified By:

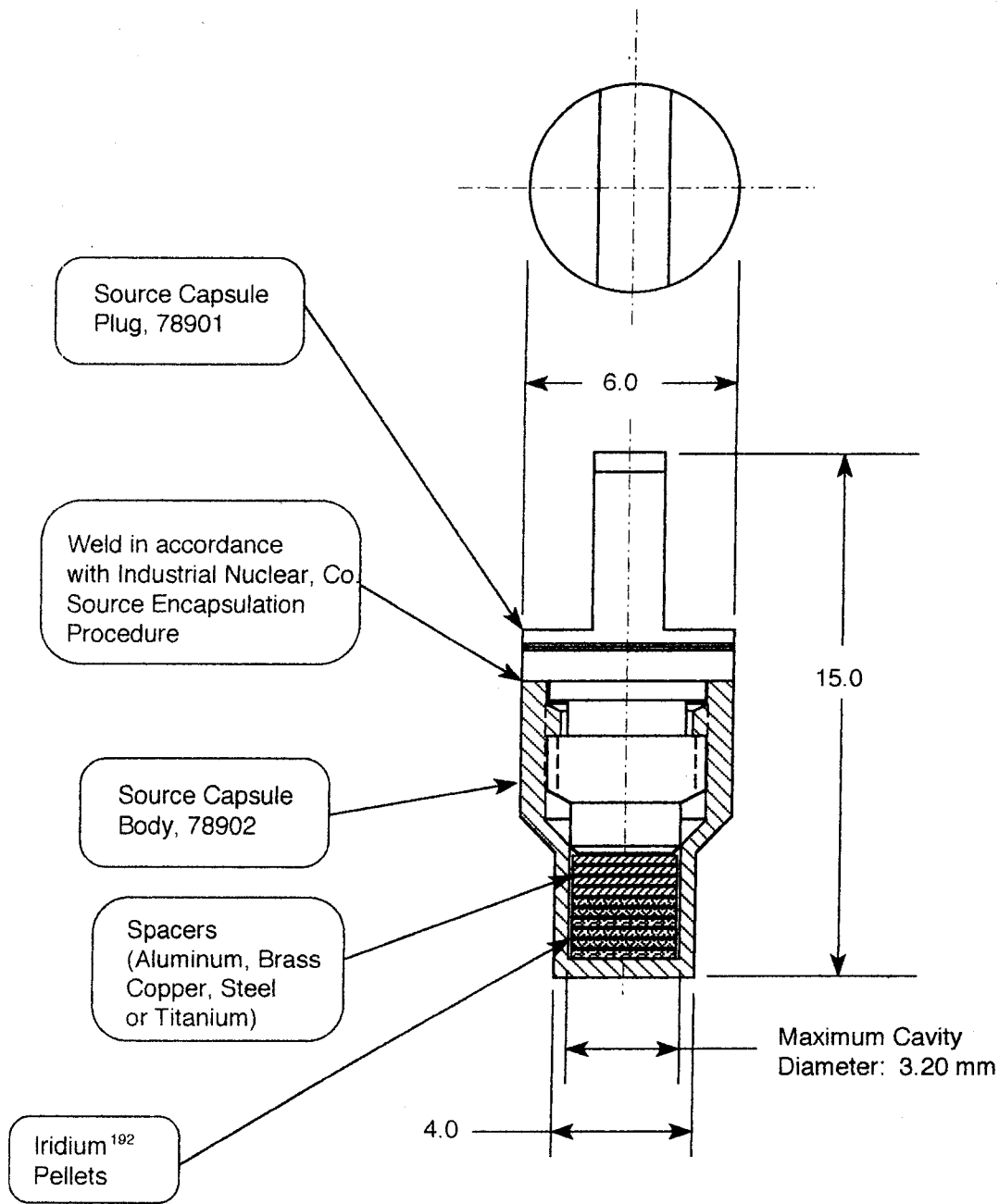


Oct 03 2016

(DATE)

 William Schoonover
Acting Associate Administrator for Hazardous Materials Safety

Revision 4 - Issued to extend the expiration date.



Notes:

1. All dimensions are in millimeters
2. Material shall be Stainless Steel Type 316 or Type 316L

Industrial Nuclear Co., Inc.

35 Flagship Drive, North Andover, MA., 01845

Material	Noted	Unless otherwise specified, tolerances shall be:	Source Capsule Assembly <small>Title</small>
Finish	32 μ in		
Drawn by:	JMunro		
Mgr. Appvl.	<i>ADJ</i>		
RA/QA	<i>GS</i>		
Scale	5:1	X : ± 1 X.X : ± 0.1 X.XX : ± 0.01 X.XXX : ± 0.005 Angles : $\pm 0.5^\circ$	No. 78900 <small>No.</small>
			Rev. 1 <small>Rev.</small>



U.S. Department
of Transportation

East Building, PHH-23
1200 New Jersey Avenue SE
Washington, D.C. 20590

**Pipeline and
Hazardous Materials
Safety Administration**

CERTIFICATE NUMBER: USA/0544/S-96, Revision 4

ORIGINAL REGISTRANT(S):

Mr. Mike Rose
QAM and ARSO
Industrial Nuclear Company, Inc.
14320 Wicks Blvd.
San Leandro, CA 94577

Jean Staton
RSO
Industrial Nuclear Company, Inc.
300 HWY 146N
LaPorte, 77571
USA

Luis Costa
Interim RSO
Industrial Nuclear Company, Inc.
300 HWY 146N
LaPorte, TX 77571

Charles Bollinger
Chief Operating Officer
Industrial Nuclear Company, Inc.
14320 Wicks Blvd
San Leandro, CA 94577