



U.S. Department
of Transportation

Pipeline and
Hazardous Materials
Safety Administration

East Building, PHH-23
1200 New Jersey Ave, SE
Washington, D.C. 20590

IAEA CERTIFICATE OF COMPETENT AUTHORITY
SPECIAL FORM RADIOACTIVE MATERIALS

CERTIFICATE USA/0560/S-96, REVISION 4

This certifies that the source described has been demonstrated to meet the regulatory requirements for special form radioactive material as prescribed in the regulations of the International Atomic Energy Agency¹ and the United States of America² for the transport of radioactive material.

1. Source Identification - J.L. Shepherd & Associates Model No. 7810-150.
2. Source Description - Cylindrical double encapsulation constructed of Type 304 stainless steel and sealed by heliarc welds. Maximum outside dimensions are 31.5 mm (1.25 in.) in diameter and 61.5 mm (2.42 in.) in length. Construction shall be in accordance with attached J. L. Shepherd and Associates Drawing No. A-0563-4241-150, Rev. A.
3. Radioactive Contents - No more than 240.5 TBq (6500 Ci) of Cobalt-60 as solid metal pellets or rods.
4. Management System Activities - Records of Management System activities required by Paragraph 306 of the IAEA regulations shall be maintained and made available to the authorized officials for at least three years after the last shipment authorized by this certificate. Consignors in the United States exporting shipments under this certificate shall satisfy the requirements of Subpart H of 10 CFR 71.
5. Expiration Date - This certificate expires on December 31, 2023. Previous editions which have not reached their expiration date may continue to be used.

¹ "Regulations for the Safe Transport of Radioactive Material, 2012 Edition, No. SSR-6" published by the International Atomic Energy Agency (IAEA), Vienna, Austria.

² Title 49, Code of Federal Regulations, Parts 100-199, United States of America.

CERTIFICATE USA/0560/S-96, REVISION 4


This certificate is issued in accordance with paragraph(s) 804 of the IAEA Regulations and Section 173.476 of Title 49 of the Code of Federal Regulations, in response to the November 20, 2018 petition by J.L. Shepherd & Associates, San Fernando, CA, and in consideration of other information on file in this Office.

Certified By:



December 20, 2018

(DATE)

 William Schoonover
Associate Administrator for Hazardous
Materials Safety

Revision 4 - Issued to extend the expiration date.

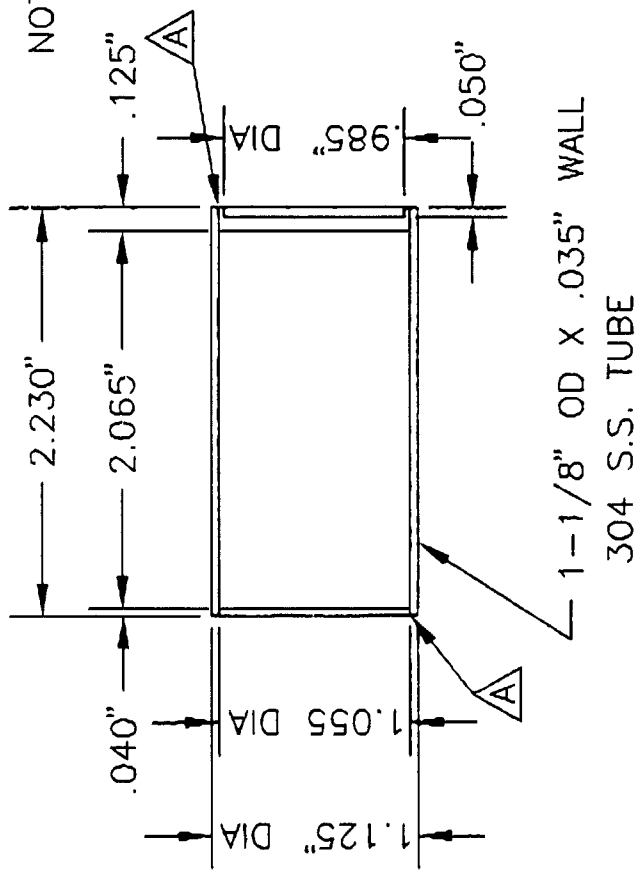
▽16 weld
MIG

- NOTE:
1. MATL = 304 STAINLESS STL.
 2. END CAPS TO HAVE .004 REGISTER & .0005 INTERFERENCE FIT, 100% HELIARC WELDED. (SEE NOTE A)
 3. CAPSULES TO BE CERTIFIED "SPECIAL FORM" PER US DOT 40CFR173.469, 10-1-95 EDITION AND IAEA SAFETY SERIES NO. 6, 1985 EDITION AS AMENDED 1990.
 4. REMOVEABLE CONTAMINATION $\leq 5 \times 10^{-5}$ uCi. PER ANSI N 43.6-1997 AND ISO 9978, 1992-02-15.
 5. INSIDE CONTENTS - COBALT-60

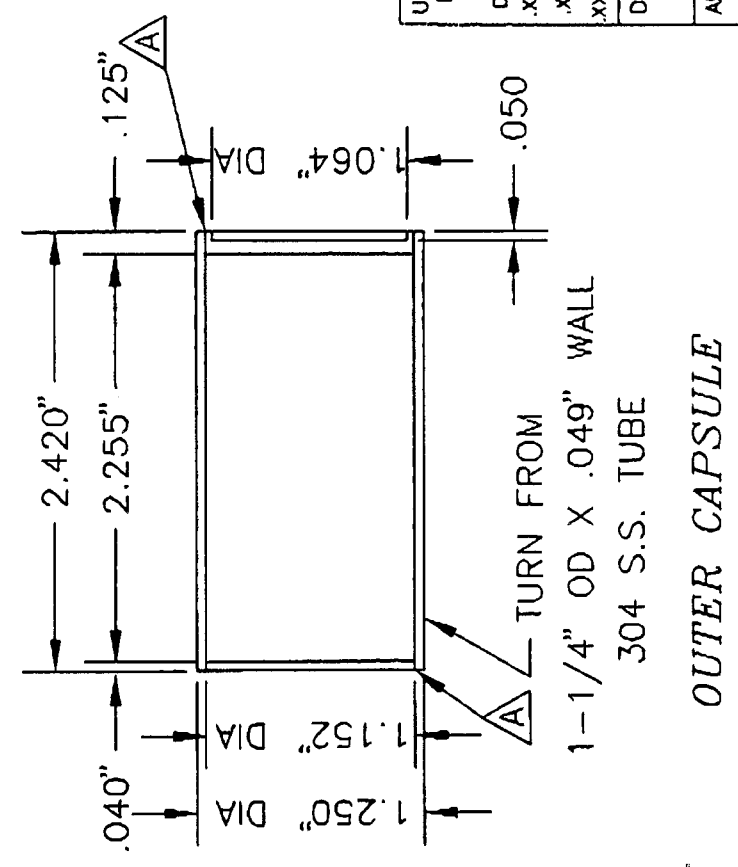
CHEMICAL FORM - METAL 1mm PELLETS
OR 1/4 DIA RODS

6. MAXIMUM ACTIVITY - (6500 Ci) COBALT-60

7. ANSI N43.6-1997 AND ISO 2919, 1980-005-01 PERFORMANCE CLASSIFICATION C-43434.



INNER CAPSULE



UNLESS OTHERWISE SPECIFIED: DIMENSIONS ARE IN INCHES TOLERANCE		TITLE		REV	
DECIMALS	FRACTIONS	SIZE	MODEL	DWG NO.	
.X ± .030	ANGULAR	A	7810-150	A-0563-4241-150	A
.XX ± .010 ± 1/16	± δ 30°	INNER & OUTER SOURCE CAPSULE			
.XXX ± .005		7810-150			
DRAWN	DATE	SCALE	FULL	SHEET	1 OF 1
D. TRAN	27AUG98				
APPROVED	7/22/94				
J. L. SHEPHERD and Associates					



U.S. Department of
Transportation

**Pipeline and
Hazardous Materials
Safety Administration**

East Building, PHH-23
1200 New Jersey Ave, SE
Washington, D.C. 20590

CERTIFICATE NUMBER: USA/0560/S-96

ORIGINAL REGISTRANT(S) :

J.L. Shepherd & Associates
1010 Arroyo Ave.
San Fernando, CA, 91340-1822
USA