



U.S. Department
of Transportation

Pipeline and
Hazardous Materials
Safety Administration

East Building, PHH-23
1200 New Jersey Ave, SE
Washington, D.C. 20590

IAEA CERTIFICATE OF COMPETENT AUTHORITY
SPECIAL FORM RADIOACTIVE MATERIALS

CERTIFICATE USA/0566/S-96, REVISION 4

This certifies that the sources described have been demonstrated to meet the regulatory requirements for special form radioactive material as prescribed in the regulations of the International Atomic Energy Agency¹ and the United States of America² for the transport of radioactive material.

1. Source Identification - Source Production & Equipment Co. Model Nos. G and T.
2. Source Description - Cylindrical double encapsulations made of 316L Corrosion Resisting (CRES) stainless steel and gas tungsten arc (TIG) or laser seal welded. Approximate exterior dimensions are between 6.4 mm (0.25 in.) and 12.7 mm (0.5 in.) in diameter and a maximum of 31.8 mm (1.25 in.) in length, including the outer end plug and the projection for the cable attachment. Minimum wall thickness is 0.76 mm (0.03 in.). Construction shall be in accordance with attached SPEC Drawing No. 19B002, Rev. 1.
3. Radioactive Contents - No more than 11.1 TBq (300 Ci) of Cobalt-60 in the form of solid metal pellets.
4. Management System Activities - Records of Management System activities required by Paragraph 306 of the IAEA regulations shall be maintained and made available to the authorized officials for at least three years after the last shipment authorized by this certificate. Consignors in the United States exporting shipments under this certificate shall satisfy the requirements of Subpart H of 10 CFR 71.

¹ "Regulations for the Safe Transport of Radioactive Material, 2012 Edition, No. SSR-6" published by the International Atomic Energy Agency (IAEA), Vienna, Austria.

² Title 49, Code of Federal Regulations, Parts 100-199, United States of America.

CERTIFICATE USA/0566/S-96, REVISION 4


5. Expiration Date - This certificate expires on June 30, 2023. Previous editions which have not reached their expiration date may continue to be used.

This certificate is issued in accordance with paragraph(s) 804 of the IAEA Regulations and Section 173.476 of Title 49 of the Code of Federal Regulations, in response to the March 16, 2018 petition by Source Production and Equipment Company, Inc., St. Rose, LA, and in consideration of other information on file in this Office.

Certified By:

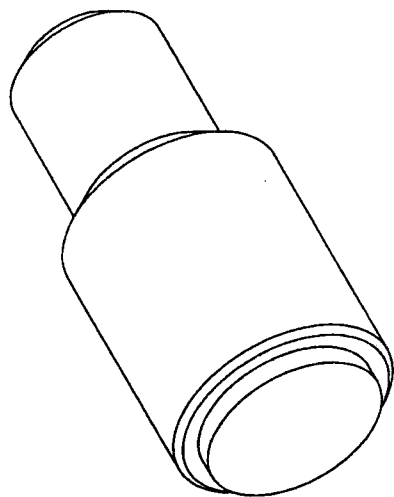


June 11, 2018
(DATE)

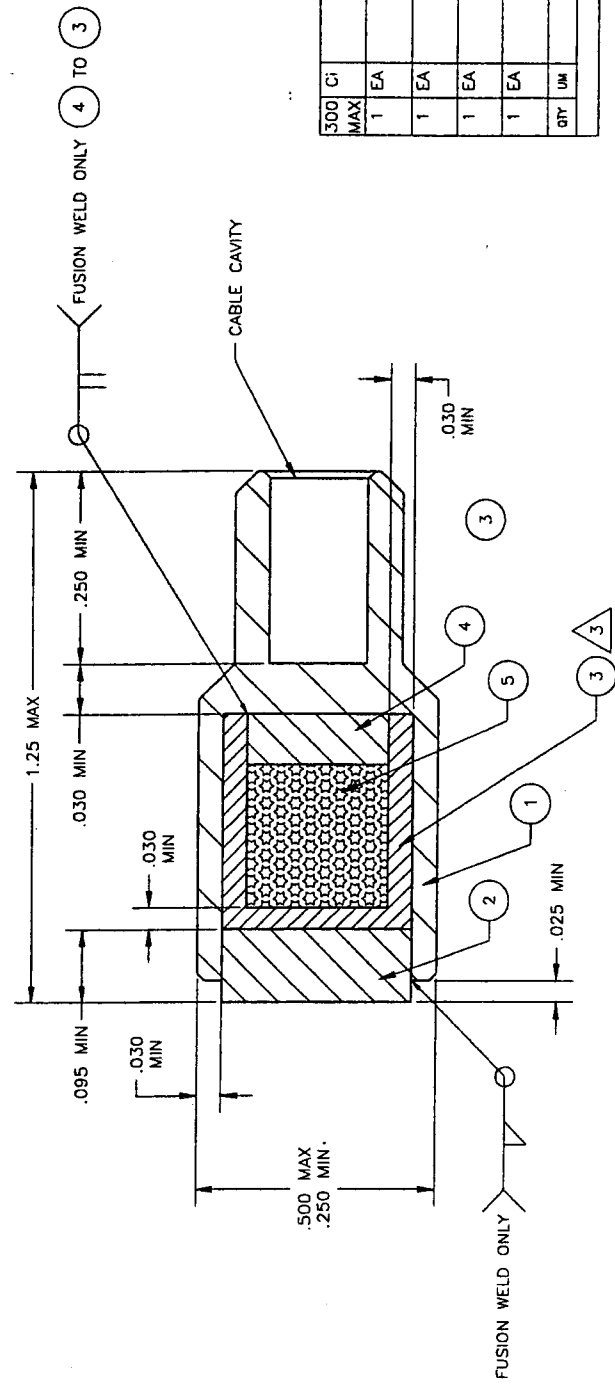
 William Schoonover
Associate Administrator for Hazardous
Materials Safety

Revision 4 - Issued to extend the expiration date.

CONTROLLED COPY NO	
REVISIONS	
REV	DESCRIPTION
1	ECR #990908-1
DATE	APPROVED
9/9/99	RAM
9/9/99	PW
9/9/99	RLC



- NOTES:
- VOID SPACE (VOLUME) BETWEEN INNER AND OUTER CAPSULE IS LESS THAN .01 IN³.
 - FUSION WELDING (GTAW "TIG") PERFORMED IN ACCORDANCE WITH SPEC WORK INSTRUCTIONS BY QUALIFIED PERSONNEL.
- △ INNER CAPSULE 3 HAS A MAXIMUM SLIP FIT OF .012.



QTY	UM	NOMENCLATURE OR DESCRIPTION	MATERIAL SPECIFICATION	ITEM NO
1	EA	INNER CAPSULE CAP	316L CRES	4
1	EA	INNER CAPSULE	316L CRES	3
1	EA	OUTER CAPSULE CAP	316L CRES	2
1	EA	OUTER CAPSULE	316L CRES	1
500 C ¹		COBALT-60	METALLIC PELLETS	5

PARTS LIST

UNLESS OTHERWISE SPECIFIED TOLERANCES ARE IN INCHES		APPROVALS		DATE
N/A				7/23/99
DO NOT SCALE DRAWING		DRAWN	SDB	7/23/99
TOLERANCE		CHECKED	PW	7/26/99
DATE		APPROVED	ROD	7/26/99
SCALE				C 19B002
				REV 1

SOURCE PRODUCTION & EQUIPMENT CO., INC.
 1113 TEAL ST. ST. ROSE, LA. 70087
 CAPSULE ASSEMBLY -
 G & T SERIES Co-60 SOURCE,
 SPECIAL FORM CAPSULE

SCALE: 8/1 M 00087201 SHEET 1 OF 1



U.S. Department of
Transportation

**Pipeline and
Hazardous Materials
Safety Administration**

East Building, PHH-23
1200 New Jersey Ave, SE
Washington, D.C. 20590

CERTIFICATE NUMBER: USA/0566/S-96

ORIGINAL REGISTRANT(S) :

Source Production and Equipment Company, Inc.
113 Teal Street
St. Rose, LA, 70087
USA

AITEC USA Investments Inc.
8401 West Monroe Rd.
Houston, TX, 77061
USA

CrossBridge Compliance
2755 State Highway 322
PO Box 8024
Longview, TX, 75603
USA