



U.S. Department
of Transportation

Pipeline and
Hazardous Materials
Safety Administration

IAEA CERTIFICATE OF COMPETENT AUTHORITY
SPECIAL FORM RADIOACTIVE MATERIALS

CERTIFICATE USA/0608/S-96, REVISION 9

East Building, PHH-23
1200 New Jersey Ave, SE
Washington, D.C. 20590

This certifies that the sources described have been demonstrated to meet the regulatory requirements for special form radioactive material as prescribed in the regulations of the International Atomic Energy Agency¹ and the United States of America² for the transport of radioactive material.

1. Source Identification - Source Production and Equipment Company Series B, G, R, and T Model Sources manufactured after November 30, 2002.
2. Source Description - Either single or double encapsulations constructed of Type 316L stainless steel and tungsten-inert-gas welded. Approximate outer dimensions of the single encapsulation capsules are 3.94 mm (0.155 in.) to 6.86 mm (0.270 in.) in diameter and a maximum length of 25.4 mm (1.00 in.). Approximate outer dimensions of the double encapsulation capsules are 6.35 mm (0.250 in.) in diameter and a maximum length, not including the cable attachment cavity, of 28.7 mm (1.130 in.). Construction shall be in accordance with attached Source Production and Equipment Company Drawing Nos. B920012, Rev. 1, Sheet 1 of 1; or B920008, Rev. 1, Sheet 2 of 2.
3. Radioactive Contents - No more than 11.1 TBq (300 Ci) of either Cobalt-60, Selenium-75, Ytterbium-169, or Iridium-192. The Co-60 is in the form of metallic pellets. The Se-75 is in a solid metal alloy. The Yb-169 is in the form of a solid metal oxide. The Ir-192 activity cited is output activity, as defined in ANSI Standard N432-1981, and is in the form of metal pellets.

¹ "Regulations for the Safe Transport of Radioactive Material, 2012 Edition, No. SSR-6" published by the International Atomic Energy Agency (IAEA), Vienna, Austria.

² Title 49, Code of Federal Regulations, Parts 100-199, United States of America.

CERTIFICATE USA/0608/S-96, REVISION 9

4. Management System Activities - Records of Management System activities required by Paragraph 306 of the IAEA regulations shall be maintained and made available to the authorized officials for at least three years after the last shipment authorized by this certificate. Consignors in the United States exporting shipments under this certificate shall satisfy the requirements of Subpart H of 10 CFR 71.

5. Expiration Date - This certificate expires on April 30, 2024. Previous editions which have not reached their expiration date may continue to be used.

This certificate is issued in accordance with paragraph(s) 804 of the IAEA Regulations and Section 173.476 of Title 49 of the Code of Federal Regulations, in response to the April 22, 2019 petition by Source Production and Equipment Company, Inc., St. Rose, LA, and in consideration of other information on file in this Office.

Certified By:



William Schoonover
Associate Administrator for Hazardous
Materials Safety

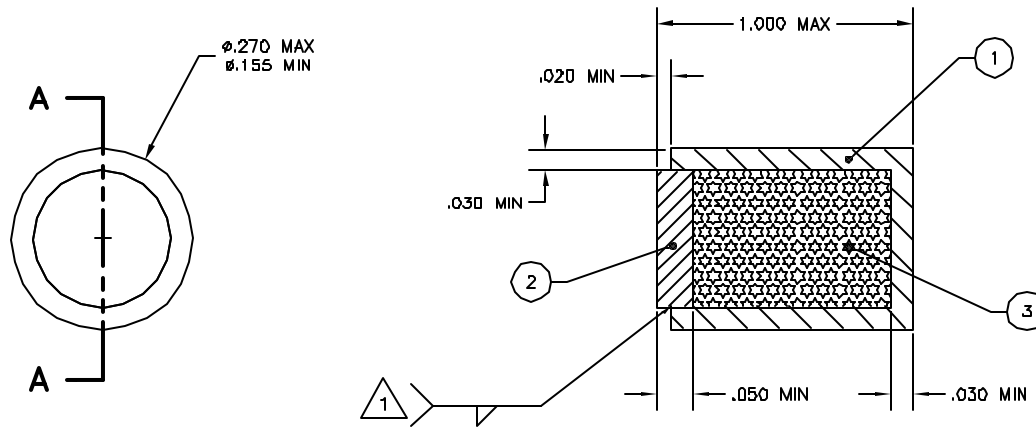
May 03, 2019
(DATE)

Revision 9 - Issued to extend the expiration date, and to eliminate Selenium-75 in elemental form.

CONTROLLED COPY NO			
REVISIONS			
REV	DESCRIPTION	DATE	APPROVED
(1)	INCORPORATED CR# 000233.	B-7-08 B-10-08 B-15-08	KP KR KR

NOTES:

- 1 FUSION WELDING (GTAW "TIG").
- 2. EXTERNAL THREADS MAY BE ADDED.



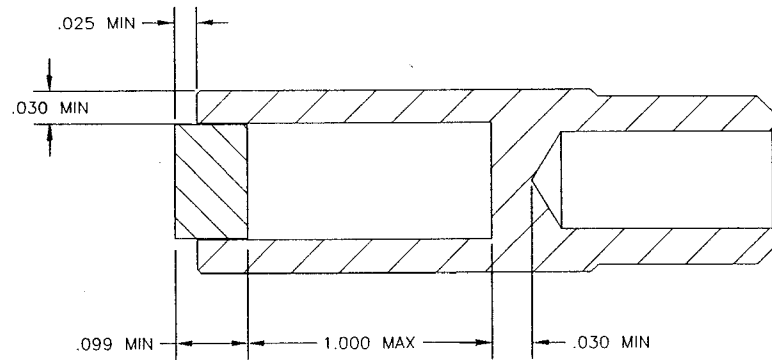
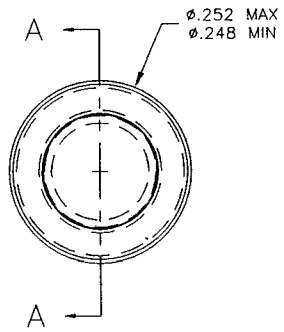
SECTION A-A

AR	QT	IRIDIUM 192	SOLID METALLIC PELLETS	3
1	EA	CAPSULE CAP	240 GT MAX OUTPUT	2
1	EA	CAPSULE	316L STAINLESS STEEL	1
		316L STAINLESS STEEL		
B920012 QTY REQD		NOMENCLATURE OR DESCRIPTION		ITEM NO.

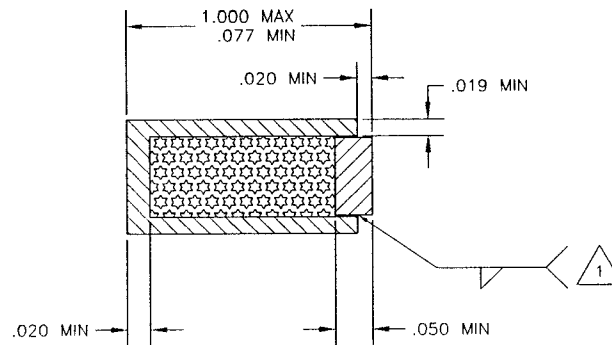
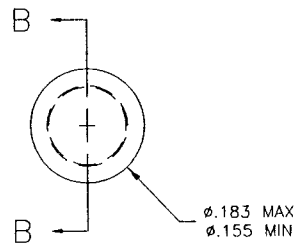
PARTS LIST

UNLESS OTHERWISE SPECIFIED DIMENSIONS ARE IN INCHES TOLERANCES ARE		SOURCE PRODUCTION & EQUIPMENT CO., INC. 113 TEAL ST, ST ROSE, LA 70087	
N/A	APPROVALS	DATE	SINGLE ENCAPSULATION- IRIDIUM 192, SPECIAL FORM CAPSULE
DO NOT SCALE DRAWING	DRAWN S. BYRD	10/17/00	
TREATMENT NDNE	CHECKED GCM	8/10/02	
FINISH NDNE	APPROVED ROID	6/11/02	REV 1
		SIZE	DWG NO.
		C	B920012
		SCALE: NTS	M 00111601 SHEET 1 OF 1

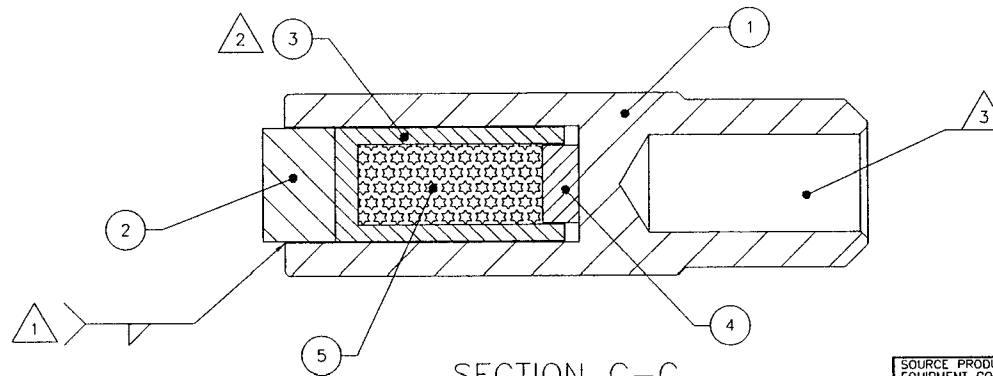
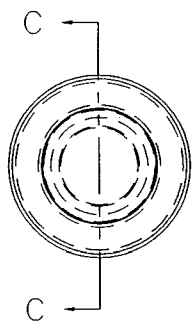
CONTROLLED COPY NO			
REVISIONS			
REV	DESCRIPTION	DATE	APPROVED



SECTION A-A



SECTION B-B



SECTION C-C

SOURCE PRODUCTION & EQUIPMENT CO INC 113 TEAL ST. ST ROSE LA 70087	SIZE C	DWG NO B920008	REV 1
APPROVED <i>[Signature]</i>	SCALE: 8/1	M 00111501	SHEET 2 OF 2



U.S. Department of
Transportation

**Pipeline and
Hazardous Materials
Safety Administration**

East Building, PHH-23
1200 New Jersey Ave, SE
Washington, D.C. 20590

CERTIFICATE NUMBER: USA/0608/S-96

ORIGINAL REGISTRANT(S) :

Source Production and Equipment Company, Inc.
113 Teal Street
St. Rose, LA, 70087
USA

Industrial Nuclear Company, Inc.
14320 Wicks Blvd.
San Leandro, CA, 94577
USA

Century Inspection, Inc.
P.O. Box 59126
Dallas, TX, 75229-1126
USA

AITEC USA Investments Inc.
8401 West Monroe Rd.
Houston, TX, 77061
USA

Western Industrial X-Ray
1707 Enterprise Drive
Unit J
P.O. Box 238
Fairfield, CA, 94533
USA

Calumet Testing Services, Inc.
P. O. Box 1510
Highland, IN, 46322
USA

Western X-Ray Company
P.O. Box 785
Seiling, OK, 73663
USA

Basin Industrial X-Ray, Inc.
P.O. Box 4901
Corpus Christi, TX, 78469
USA

Edge Inspection Group
4576 East Second Street
Suite C
Benicia, CA, 94510
USA

High Country Fabrication
1000 West 1st Street
Casper, WY, 82604
USA

RLN Industries
7533 FM 2004
Hitchcock, TX, 77563
USA

CrossBridge Compliance
2755 State Highway 322
PO Box 8024
Longview, TX, 75603
USA