



U.S. Department
of Transportation
**Pipeline and
Hazardous Materials
Safety Administration**

**IAEA CERTIFICATE OF COMPETENT AUTHORITY
SPECIAL FORM RADIOACTIVE MATERIALS
CERTIFICATE USA/0614/S-96, REVISION 4**

East Building, PHH-23
1200 New Jersey Avenue Southeast
Washington, D.C. 20590

This certifies that the source described has been demonstrated to meet the regulatory requirements for special form radioactive material as prescribed in the regulations of the International Atomic Energy Agency¹ and the United States of America² for the transport of radioactive material.

1. Source Identification - QSA Global, Inc. Model X.1218 (Manufactured on or after January 17, 1991).
2. Source Description - Cylindrical single encapsulation constructed of stainless steel and tungsten inert gas or laser seal welded. Ceramic fiber packing is included within the encapsulation to localize the active source material. Approximate outer dimensions are 6.05 mm (0.24 in.) in diameter and 10.2 mm (0.40 in.) in length. Construction shall be in accordance with attached AEA Technology QSA, Inc. Drawing No. RBA62269, Rev. A.
3. Radioactive Contents - No more than 555 MBq (15 mCi) of Cesium-137 in a glass matrix.
4. Quality Assurance - Records of Quality Assurance activities required by Paragraph 310 of the IAEA regulations¹ shall be maintained and made available to the authorized officials for at least three years after the last shipment authorized by this certificate. Consignors in the United States exporting shipments under this certificate shall satisfy the applicable requirements of Subpart H of 10 CFR 71.
5. Expiration Date - This certificate expires on April 30, 2022.

¹ "Regulations for the Safe Transport of Radioactive Material, 1996 Edition (Revised), No. TS-R-1 (ST-1, Revised)," published by the International Atomic Energy Agency(IAEA), Vienna, Austria.

² Title 49, Code of Federal Regulations, Parts 100-199, United States of America.

CERTIFICATE USA/0614/S-96, REVISION 4


This certificate is issued in accordance with paragraph 804 of the IAEA Regulations and Section 173.476 of Title 49 of the Code of Federal Regulations, in response to the March 24, 2017 petition by QSA Global, Inc., Burlington, MA, and in consideration of other information on file in this Office.

Certified By:



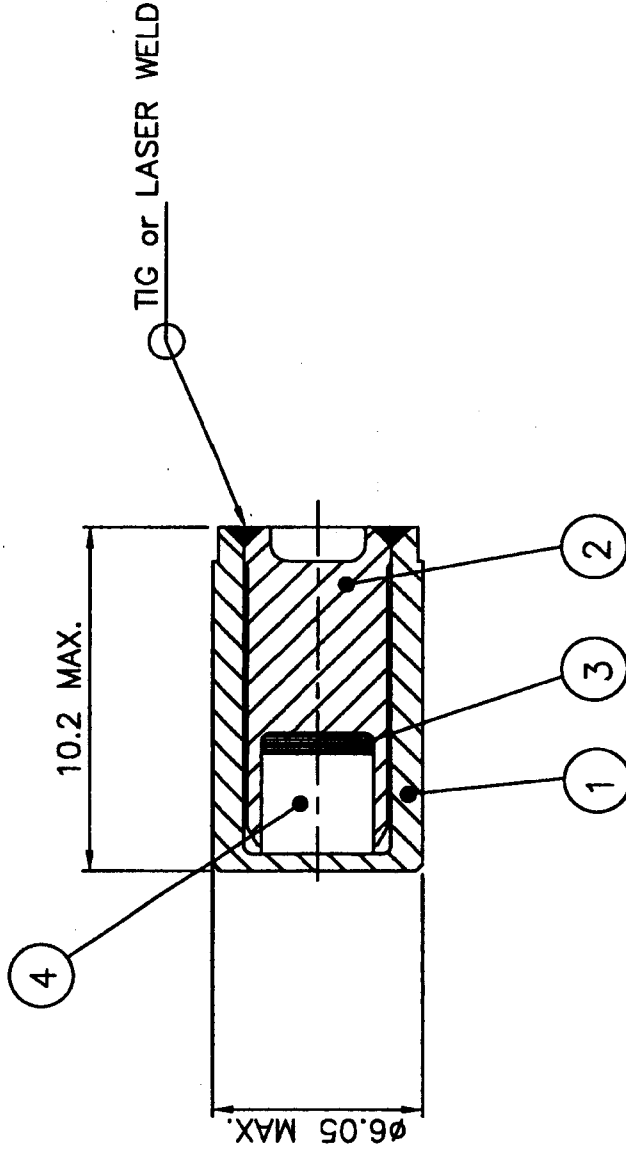
Apr 10 2017


(DATE)

 _____
William Schoonover
Acting Associate Administrator for Hazardous Materials Safety

Revision 4 - Issued to extend the expiration date.

Item	Description	Material	QTY
1	BODY	STAIN.STL	1
2	LID	STAIN.STL	1
3	PACKING	CERAMIC FIBER	A/R
4	ACTIVE MATERIAL		A/R



 40 NORTH AVE, BURLINGTON, MA 01803		DESCRIPTIVE DRAWING	
TITLE X1218 CAPSULE ASSEMBLY		REV A	
APPROVALS <i>[Signature]</i> 17 17/02 <i>[Signature]</i> 17 08/02 <i>[Signature]</i> 17 08/02		DWG. NO. RBA62269	
SIZE A		SCALE: N/A	
INTERNAL ±0.5 EXTERNAL ±0.1 ANGULAR ±5°		SHEET 1 OF 1	



U.S. Department
of Transportation

East Building, PHH-23
1200 New Jersey Avenue SE
Washington, D.C. 20590

**Pipeline and
Hazardous Materials
Safety Administration**

CERTIFICATE NUMBER: USA/0614/S-96, Revision 4

ORIGINAL REGISTRANT(S):

Ms. Lori Podolak
Manager, Regulatory Affairs/Quality Assurance
QSA Global, Inc.
40 North Avenue
Burlington, MA 01803

Mr. Michael Fuller
Regulatory Compliance Associate
QSA Global, Inc.
40 North Avenue
Burlington, MA 01803

REGISTERED USER(S):

Mr. Henry Barnes
Corporation Radiation Safety Officer
Troxler Electronic Laboratories
P.O. Box 12057
3008 Cornwallis Road
Research Triangle Park, 27709
USA