



U.S. Department
of Transportation
**Pipeline and
Hazardous Materials
Safety Administration**

**IAEA CERTIFICATE OF COMPETENT AUTHORITY
SPECIAL FORM RADIOACTIVE MATERIALS
CERTIFICATE USA/0615/S-96, REVISION 4**

East Building, PHH-23
1200 New Jersey Avenue Southeast
Washington, D.C. 20590

This certifies that the source described has been demonstrated to meet the regulatory requirements for special form radioactive material as prescribed in the regulations of the International Atomic Energy Agency¹ and the United States of America² for the transport of radioactive material.

1. Source Identification - QSA Global, Inc. Model X.2001 (Manufactured on or after November 9, 1981).
2. Source Description - Cylindrical double encapsulation constructed of Type 316 stainless steel and tungsten inert gas or laser seal welded. Approximate outer dimensions are 31.4 mm (1.24 in.) in diameter and 61.4 mm (2.42 in.) in length. Construction shall be in accordance with attached AEA Technology QSA, Inc. Drawing No. RB3A611921, Rev. A.
3. Radioactive Contents - No more than 370 TBq (10,000 Ci) of metallic Cobalt-60.
4. Quality Assurance - Records of Quality Assurance activities required by Paragraph 310 of the IAEA regulations¹ shall be maintained and made available to the authorized officials for at least three years after the last shipment authorized by this certificate. Consignors in the United States exporting shipments under this certificate shall satisfy the applicable requirements of Subpart H of 10 CFR 71.
5. Expiration Date - This certificate expires on March 31, 2022.

¹ "Regulations for the Safe Transport of Radioactive Material, 1996 Edition (Revised), No. TS-R-1 (ST-1, Revised)," published by the International Atomic Energy Agency(IAEA), Vienna, Austria.

² Title 49, Code of Federal Regulations, Parts 100-199, United States of America.

CERTIFICATE USA/0615/S-96, REVISION 4

This certificate is issued in accordance with paragraph 804 of the IAEA Regulations and Section 173.476 of Title 49 of the Code of Federal Regulations, in response to the March 24, 2017 petition by QSA Global, Inc., Burlington, MA, and in consideration of other information on file in this Office.

Certified By:



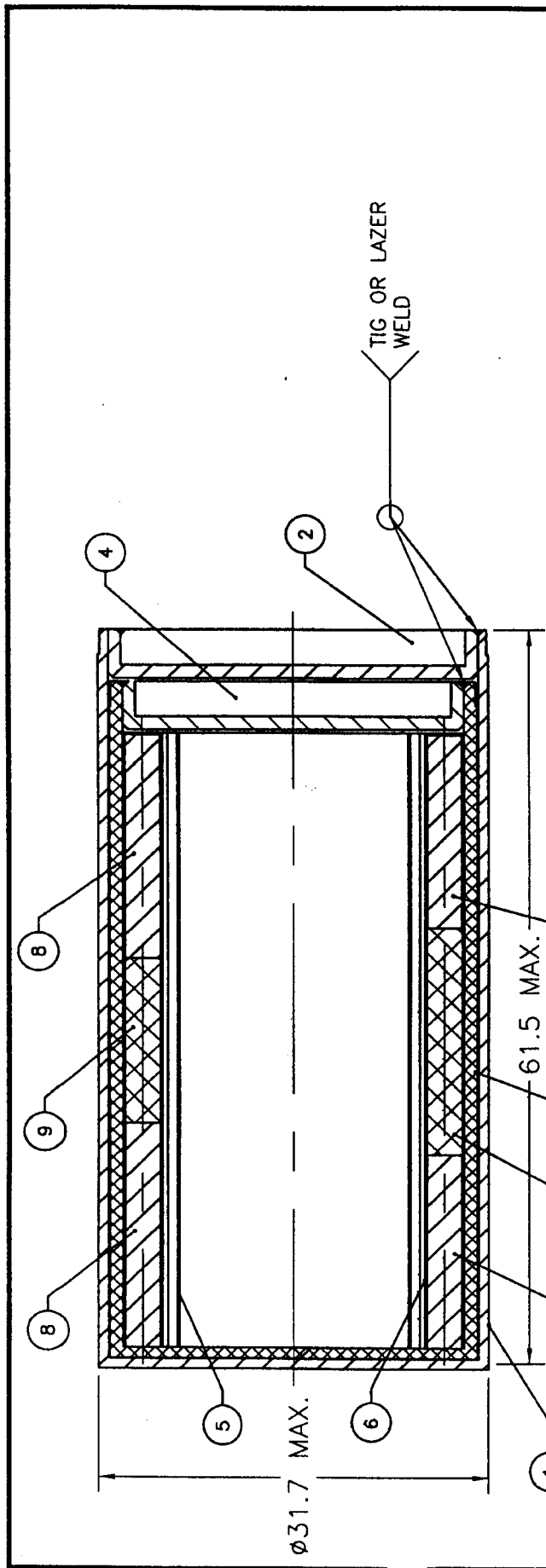
Apr 10 2017

(DATE)

 _____
William Schoonover

Acting Associate Administrator for Hazardous Materials Safety

Revision 4 - Issued to extend the expiration date.



ITEM NO.	DESCRIPTION	MATERIAL	QTY.
1	SHEATH BODY - X1004	316 STAINLESS STEEL	1
2	SHEATH LID - X1004	316 STAINLESS STEEL	1
3	CELL BODY - X1003	316 STAINLESS STEEL	1
4	CELL LID - X1003	316 STAINLESS STEEL	1
5	TUBULAR INSERT	304 STAINLESS STEEL	1
6	SPACER TUBE	304 STAINLESS STEEL	24
7	SPACER SHORT	ALUMINUM	28
8	SPACER LONG	ALUMINUM	20
9	ACTIVE ROD - SHORT	COBALT METAL 99% MIN.	10
10	ACTIVE ROD - LONG	COBALT METAL 99% MIN.	14

APPROVALS

[Signatures] 23 Sept 02 23 Sept 02

AEATECHNOLOGY
 OSA
 40 NORTH AVE. BURLINGTON, MA 01803

DESRIPTIVE DRAWING

TITLE SOURCE ASSEMBLY-CODE X2001

SIZE DWG. NO. RB3A611921

SCALE: 2/1 SHEET 1 OF 1

REV A

DIMENSIONS IN MILLIMETERS UNLESS OTHERWISE STATED TOLERANCES:

X ±0.5
 X.X ±0.1
 X.XX ±0.05
 ANGULAR ±5'

INTERNAL $\frac{M}{V}$
 EXTERNAL $\frac{M}{V}$



U.S. Department
of Transportation

East Building, PHH-23
1200 New Jersey Avenue SE
Washington, D.C. 20590

**Pipeline and
Hazardous Materials
Safety Administration**

CERTIFICATE NUMBER: USA/0615/S-96, Revision 4

ORIGINAL REGISTRANT(S):

Ms. Lori Podolak
Manager, Regulatory Affairs/Quality Assurance
QSA Global, Inc.
40 North Avenue
Burlington, MA 01803

Mr. Michael Fuller
Regulatory Compliance Associate
QSA Global, Inc.
40 North Avenue
Burlington, MA 01803