



U.S. Department
of Transportation

Pipeline and
Hazardous Materials
Safety Administration

IAEA CERTIFICATE OF COMPETENT AUTHORITY
SPECIAL FORM RADIOACTIVE MATERIALS

CERTIFICATE USA/0627/S-96, REVISION 5

East Building, PHH-23
1200 New Jersey Ave, SE
Washington, D.C. 20590

This certifies that the source described has been demonstrated to meet the regulatory requirements for special form radioactive material as prescribed in the regulations of the International Atomic Energy Agency¹ and the United States of America² for the transport of radioactive material.

1. Source Identification - QSA Global, Inc. Model No. X.2084 (Manufactured on or after July 28, 1983).
2. Source Description - Cylindrical double encapsulation made of stainless steel and tungsten inert gas or laser seal welded. Approximate outer dimensions are 9.1 mm (0.36 in.) in diameter and 12.8 mm (0.5 in.) in length. Minimum wall thickness of the sheath body is 0.95 mm (0.04 in.) and of the cell body is 0.85 mm (0.03 in.). Construction shall be in accordance with attached AEA Technology QSA, Inc. Drawing No. RBA61685, Rev. A.
3. Radioactive Contents - No more than 5.55 GBq (0.15 Ci) of Americium-241. The Am-241 is in solid oxide form and mixed with beryllium.
4. Management System Activities - Records of Management System activities required by Paragraph 306 of the IAEA regulations shall be maintained and made available to the authorized officials for at least three years after the last shipment authorized by this certificate. Consignors in the United States exporting shipments under this certificate shall satisfy the requirements of Subpart H of 10 CFR 71.
5. Expiration Date - This certificate expires on June 30, 2027. Previous editions which have not reached their expiration date may continue to be used.

¹ "Regulations for the Safe Transport of Radioactive Material, 2012 Edition, No. SSR-6" published by the International Atomic Energy Agency (IAEA), Vienna, Austria.

² Title 49, Code of Federal Regulations, Parts 100-199, United States of America.

CERTIFICATE USA/0627/S-96, REVISION 5

This certificate is issued in accordance with paragraph(s) 804 of the IAEA Regulations and Section 173.476 of Title 49 of the Code of Federal Regulations, in response to the May 2, 2022 petition by QSA Global, Inc., Burlington, MA, and in consideration of other information on file in this Office.

Certified By:



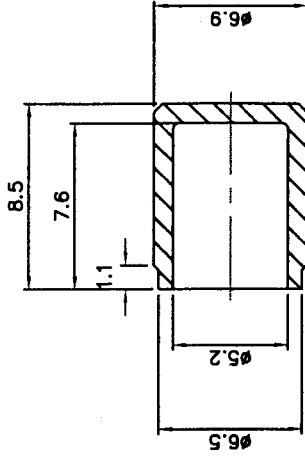
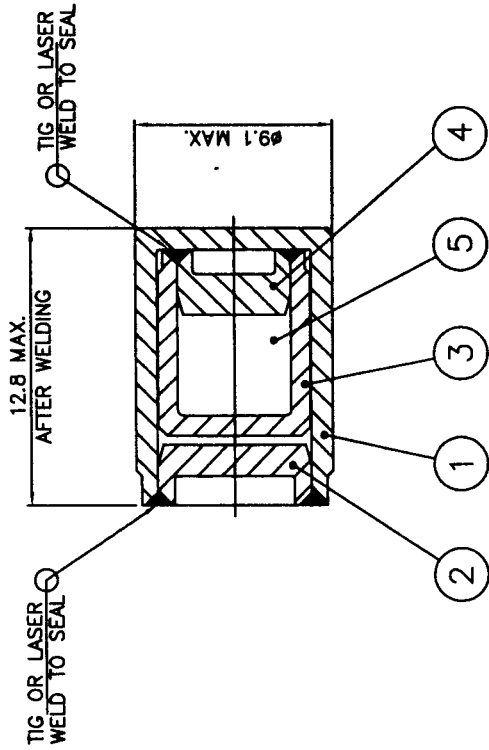
June 09, 2022

(DATE)

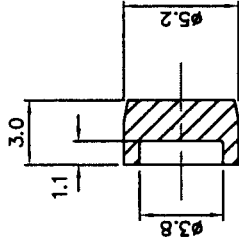
 William Schoonover
Associate Administrator for Hazardous
Materials Safety

Revision 5 - Issued to extend the expiration date.

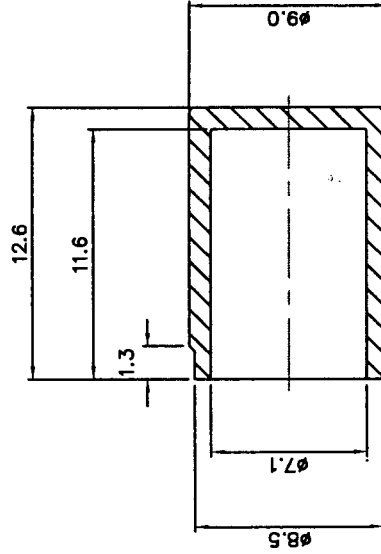
ITEM No.	DESCRIPTION	QTY.
1	SHEATH BODY STAIN.STL	1
2	SHEATH LID STAIN.STL	1
3	CELL BODY STAIN.STL	1
4	CELL LID STAIN.STL	1
5	ACTIVE MATERIAL	AR



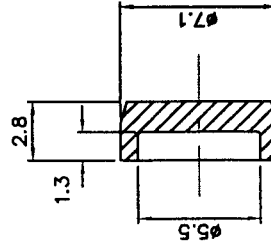
ITEM 3






ITEM 4



ITEM 1



ITEM 2

 40 NORTH AVE., BURLINGTON, MA 01803		DESCRIPTIVE DRAWING	
APPROVALS  03 MAR 03  3 MAR 03		TITLE X2084 CAPSULE ASSEMBLY	
DIMENSIONS IN MILLIMETERS UNLESS OTHERWISE STATED TOLERANCES: X ±0.5 X.X ±0.1 X.XX ±0.05 ANGULAR ±5°		SIZE DWG. NO. RBA61685	
INTERNAL $\frac{N}{\Delta}$ EXTERNAL $\frac{N}{\Delta}$		SCALE: NONE	
ERF # 475		SHEET 1 OF 1	
		REV A	



U.S. Department of
Transportation

**Pipeline and
Hazardous Materials
Safety Administration**

East Building, PHH-23
1200 New Jersey Ave, SE
Washington, D.C. 20590

CERTIFICATE NUMBER: USA/0627/S-96

ORIGINAL REGISTRANT(S) :

QSA Global, Inc.
40 North Avenue
Burlington, MA, 01803
USA

Department of Energy
U.S. Department of Energy
1000 Independence Ave, SW
EM-60
Washington, DC, 20585
USA

U.S. Geologic Survey
Idaho Water Science Center, U.S. Geological Survey
Department of Interior
1955 N Fremont MS 4131
Idaho Falls, ID, 83415
USA

U.S. Army Corps of Engineers
USACE Huntsville Center - Environmental and Munitions Center of Expert
721 19th St.
Denver, CO, 80202
USA