



U.S. Department
of Transportation
**Pipeline and
Hazardous Materials
Safety Administration**

**IAEA CERTIFICATE OF COMPETENT AUTHORITY
SPECIAL FORM RADIOACTIVE MATERIALS
CERTIFICATE USA/0628/S-96, REVISION 4**

East Building, PHH-23
1200 New Jersey Avenue Southeast
Washington, D.C. 20590

This certifies that the source described has been demonstrated to meet the regulatory requirements for special form radioactive material as prescribed in the regulations of the International Atomic Energy Agency¹ and the United States of America² for the transport of radioactive material.

1. Source Identification - QSA Global, Inc. Model No. X.2055 (Manufactured on or after October 30, 1992).
2. Source Description - Cylindrical double encapsulation made of stainless steel and tungsten inert gas or laser seal welded. Approximate exterior dimensions are 15.9 mm (0.63 in.) in diameter and 23.9 mm (0.94 in.) in length. Construction shall be in accordance with attached AEA Technology QSA, Inc. Drawing No. RBA61598, Rev. B.
3. Radioactive Contents - No more than 111.0 GBq (3.0 Ci) of Cesium-137. The Cs-137 is in the form of a solid calcium silicate in a glass matrix or a solid sulfate as ion exchange beads.
4. Quality Assurance - Records of Quality Assurance activities required by Paragraph 310 of the IAEA regulations¹ shall be maintained and made available to the authorized officials for at least three years after the last shipment authorized by this certificate. Consignors in the United States exporting shipments under this certificate shall satisfy the applicable requirements of Subpart H of 10 CFR 71.
5. Expiration Date - This certificate expires on January 31, 2018.

¹ "Regulations for the Safe Transport of Radioactive Material, 1996 Edition (Revised), No. TS-R-1 (ST-1, Revised)," published by the International Atomic Energy Agency (IAEA), Vienna, Austria.

² Title 49, Code of Federal Regulations, Parts 100-199, United States of America.

CERTIFICATE USA/0628/S-96, REVISION 4


This certificate is issued in accordance with paragraph 804 of the IAEA Regulations and Section 173.476 of Title 49 of the Code of Federal Regulations, in response to the December 04, 2012 petition by QSA Global, Inc., Burlington, MA, and in consideration of other information on file in this Office.

Certified By:



Jan 24 2013

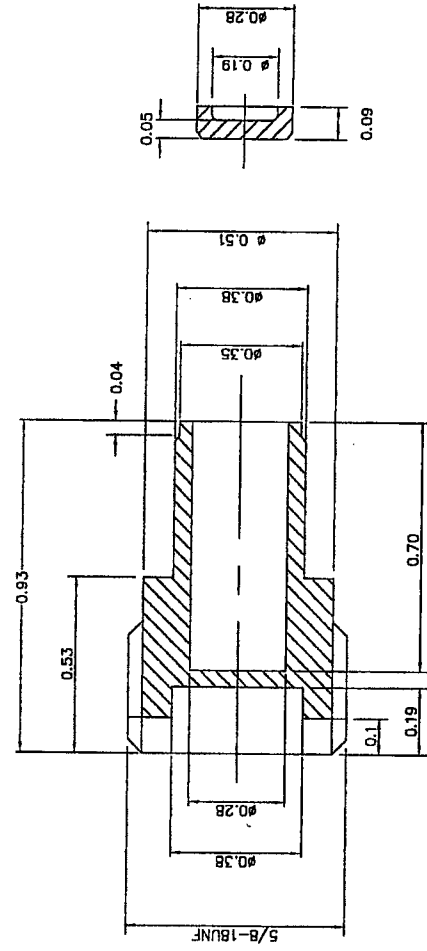
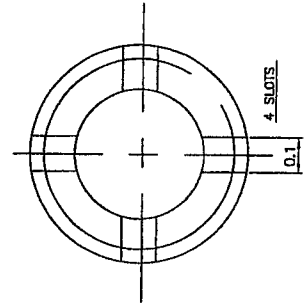
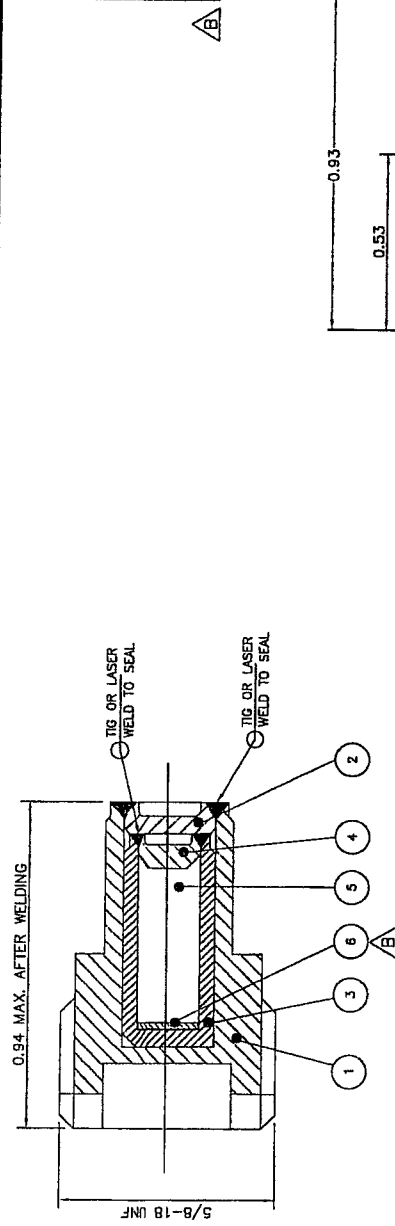
(DATE)

 _____
Dr. Magdy El-Sibaie
Associate Administrator for Hazardous Materials Safety

Revision 4 - Issued to extend the expiration date.

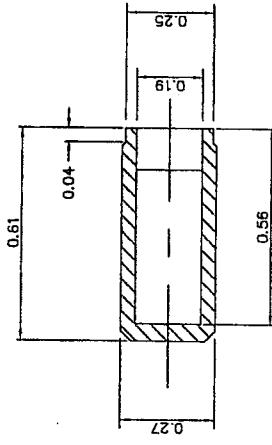
ITEM No.	DESCRIPTION	QTY.
1	SHEATH BODY STAIN.STL	1
2	SHEATH LID STAIN.STL	1
3	CELL BODY STAIN.STL	1
4	CELL LID STAIN.STL	1
5	ACTIVE MATERIAL	AR
6	CERAMIC FIBER	AR

△ B

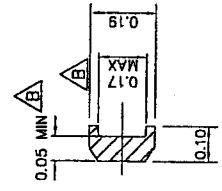


ITEM 2

ITEM 1



ITEM 3



ITEM 4

		DESCRIPTIVE DRAWING	
APPROVALS <i>[Signature]</i> 1-25-07 <i>[Signature]</i> 25 Jan 07		TITLE X2055 CAPSULE ASSEMBLY	
DIMENSIONS IN INCHES UNLESS OTHERWISE STATED TOLERANCES: X ±0.5 XX ±0.1 XXX ±0.05 ANGULAR ±5°		SIZE A	
INTERNAL <input checked="" type="checkbox"/> EXTERNAL <input checked="" type="checkbox"/>		DWG. NO. RBA61598	
ERF # 1545		SCALE: NONE	
REV B		SHEET 1 OF 1	

40 NORTH AVE, BURLINGTON, MA 01803



U.S. Department
of Transportation

East Building, PHH-23
1200 New Jersey Avenue SE
Washington, D.C. 20590

**Pipeline and
Hazardous Materials
Safety Administration**

CERTIFICATE NUMBER: USA/0628/S-96, Revision 4

ORIGINAL REGISTRANT(S):

Ms. Lori Podolak
Product Licensing Specialist
QSA Global, Inc.
40 North Avenue
Burlington, MA 01803

Ms. Cathleen Roughan
Director, Regulatory Affairs and QA
QSA Global, Inc.
40 North Avenue
Burlington, MA 01803

Mr. Michael Fuller
Regulatory Compliance Associate
QSA Global, Inc.
40 North Avenue
Burlington, MA 01803

REGISTERED USER(S):

Ms. Elizabeth Foltz
Manager, Global Radiation and Explosives Safety
Halliburton
3000 North Sam Houston Parkway, East
Houston, 77032
USA

Mr. Steve Woods
Global Radiation and Explosives Safety
Halliburton
1015 W Bois D Arc Ave
Duncan, OK 73536

Mr. Neil Walters
Global Radiation and Explosives Safety
Halliburton
3300 N. Sam Houston Parkway East
Houston, TX 77032