



U.S. Department
of Transportation

Pipeline and
Hazardous Materials
Safety Administration

East Building, PHH-23
1200 New Jersey Ave, SE
Washington, D.C. 20590

IAEA CERTIFICATE OF COMPETENT AUTHORITY
SPECIAL FORM RADIOACTIVE MATERIALS

CERTIFICATE USA/0632/S-96, REVISION 10

This certifies that the sources described have been demonstrated to meet the regulatory requirements for special form radioactive material as prescribed in the regulations of the International Atomic Energy Agency¹ and the United States of America² for the transport of radioactive material.

1. Source Identification - QSA Global, Inc. Model Nos. AX1, X.1, and X.1/2 (All models manufactured on or after May 17, 1977).
2. Source Description - Cylindrical double encapsulations made of stainless steel and tungsten inert gas or laser seal welded. Approximate outer dimensions of all models are 7.9 mm (0.31 in.) in diameter and 10.15 mm (0.4 in.) in length. Construction shall be in accordance with attached QSA Global, Inc. Drawing No. RBA10880, Rev. F.
3. Radioactive Contents - No more than either 3.7 GBq (100.0 mCi) of Americium-241 or 13.0 GBq (351.0 mCi) of Californium-252. The Am-241 is in oxide form and mixed with beryllium powder and pressed into a solid pellet. The Cf-252 is in the form of an oxide pressed into a pellet, a metal wire, or an oxide solid ceramic.
4. Management System Activities - Records of Management System activities required by Paragraph 306 of the IAEA regulations shall be maintained and made available to the authorized officials for at least three years after the last shipment authorized by this certificate. Consignors in the United States exporting shipments under this certificate shall satisfy the requirements of Subpart H of 10 CFR 71.

¹ "Regulations for the Safe Transport of Radioactive Material, 2012 Edition, No. SSR-6" published by the International Atomic Energy Agency (IAEA), Vienna, Austria.

² Title 49, Code of Federal Regulations, Parts 100-199, United States of America.

CERTIFICATE USA/0632/S-96, REVISION 10

5. Expiration Date - This certificate expires on June 30, 2027. Previous editions which have not reached their expiration date may continue to be used.

This certificate is issued in accordance with paragraph(s) 804 of the IAEA Regulations and Section 173.476 of Title 49 of the Code of Federal Regulations, in response to the May 2, 2022 petition by QSA Global, Inc., Burlington, MA, and in consideration of other information on file in this Office.

Certified By:



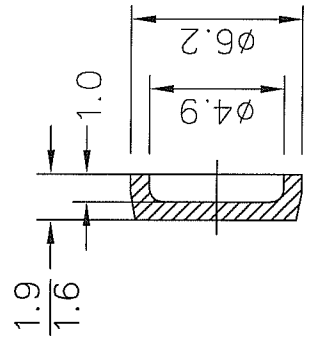
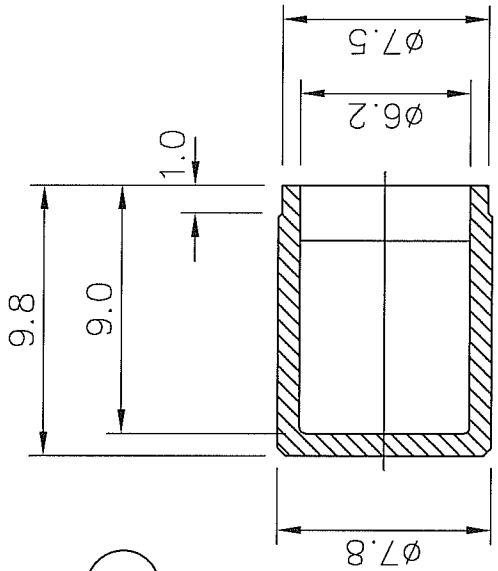
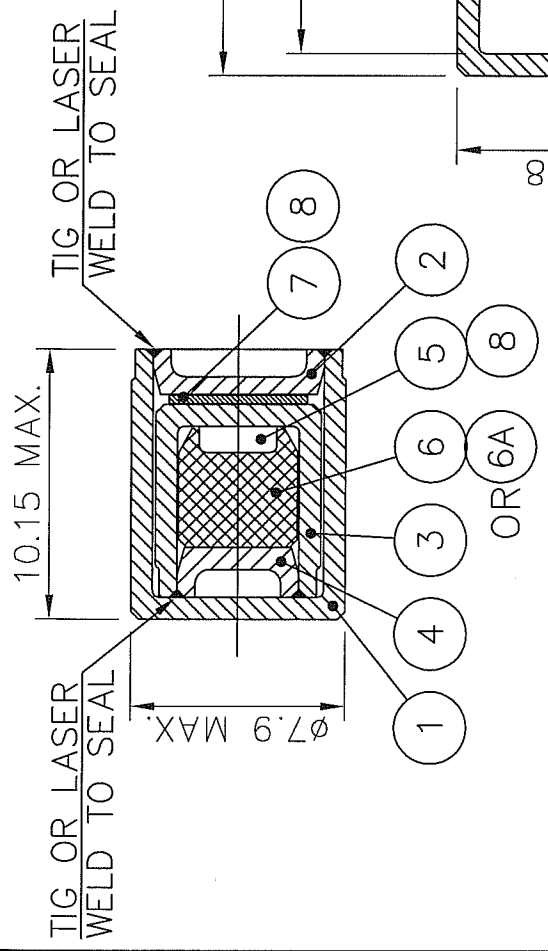
June 09, 2022
(DATE)

WJS

William Schoonover
Associate Administrator for Hazardous
Materials Safety

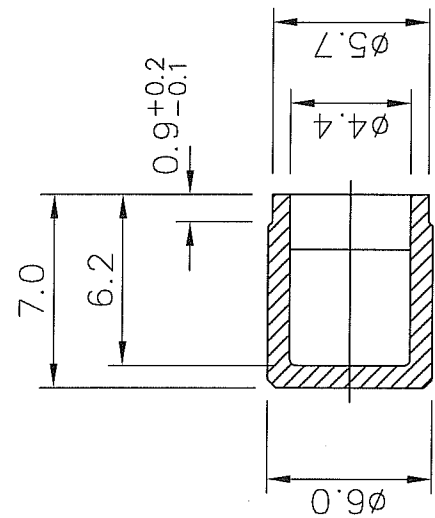
Revision 10 - Issued to extend the expiration date.

ITEM No.	DESCRIPTION	QTY.
1	SHEATH BODY STAINLESS STEEL	1
2	SHEATH LID STAINLESS STEEL	1
3	CELL BODY STAINLESS STEEL	1
4	CELL LID STAINLESS STEEL	1
5	ACTIVE MATERIAL	1
6	SPACER (MODEL X1/2 ONLY) ALUMINIUM OR STAINLESS STEEL	AR
6A	SPACER (X1 OR AX1) STAINLESS STEEL (OPTIONAL)	AR
7	SPACER (X1 OR AX1) STAINLESS STEEL (OPTIONAL)	AR
8	CERAMIC FIBER PACKING(OPTIONAL)	AR

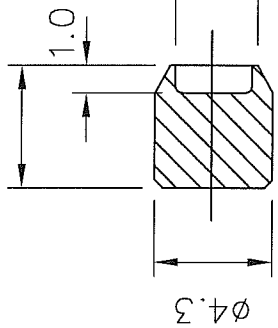


ITEM 1

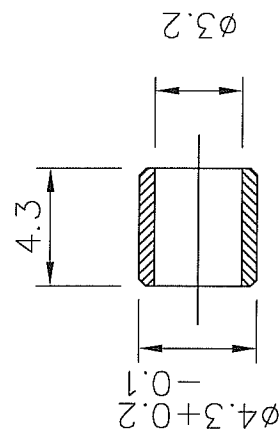
ITEM 2



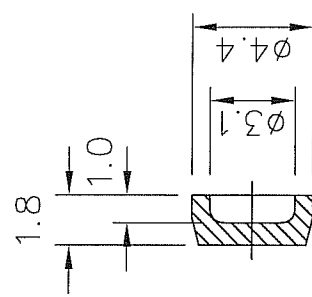
ITEM 3



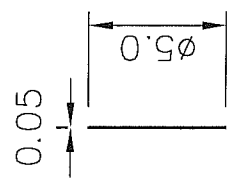
ITEM 4



ITEM 6A



ITEM 6



ITEM 7

APPROVALS	DATE
<i>[Signature]</i>	11 Aug 08
<i>[Signature]</i>	11 Aug 08

DIMENSIONS IN MILLIMETERS
UNLESS OTHERWISE STATED TOLERANCES:

X ±0.5
X.X ±0.1
X.XX ±0.05
ANGULAR ±5°

INTERNAL
EXTERNAL

QSA GLOBAL
40 NORTH AVE, BURLINGTON, MA 01803

DESCRIPTIVE
DRAWING

TITLE AX1, X1 & X1/2 CAPSULE ASSY	REV F
SIZE A	DWG. NO. RBA10880
SCALE: NONE	SHEET 1 OF 1

ERF # 1878



U.S. Department of
Transportation

**Pipeline and
Hazardous Materials
Safety Administration**

East Building, PHH-23
1200 New Jersey Ave, SE
Washington, D.C. 20590

CERTIFICATE NUMBER: USA/0632/S-96

ORIGINAL REGISTRANT(S) :

QSA Global, Inc.
40 North Avenue
Burlington, MA, 01803
USA

U.S. Geologic Survey
Idaho Water Science Center, U.S. Geological Survey
Department of Interior
1955 N Fremont MS 4131
Idaho Falls, ID, 83415
USA