



U.S. Department  
of Transportation  
**Pipeline and  
Hazardous Materials  
Safety Administration**

**IAEA CERTIFICATE OF COMPETENT AUTHORITY  
SPECIAL FORM RADIOACTIVE MATERIALS  
CERTIFICATE USA/0634/S-96, REVISION 4**

East Building, PHH-23  
1200 New Jersey Avenue Southeast  
Washington, D.C. 20590

This certifies that the source described has been demonstrated to meet the regulatory requirements for special form radioactive material as prescribed in the regulations of the International Atomic Energy Agency<sup>1</sup> and the United States of America<sup>2</sup> for the transport of radioactive material.

1. Source Identification - QSA Global, Inc. Model X.8 (Manufactured on or after September 23, 1981).
2. Source Description - Cylindrical double encapsulation made of stainless steel and tungsten inert gas or laser seal welded. Approximate exterior dimensions are 6.1 mm (0.24 in.) in diameter and 8.3 mm (0.33 in.) in length. Minimum wall thickness of the outer encapsulation is 0.4 mm (0.02 in.). Construction shall be in accordance with attached AEA Technology QSA, Inc. Drawing No. RBA62011, Rev. C.
3. Radioactive Contents - No more than either 37.0 GBq (1.0 Ci) of Cesium-137, or 740.0 MBq (20.0 mCi) of Radium-226, or 740.0 MBq (20.0 mCi) of Barium-133. The Cs-137 is in the form of a cesium silicate in a glass matrix or a sulfate as ceramic ion exchange pellets. The Ra-226 is in the form of a low solubility radium sulfate powder. The Ba-133 is in the form of barium silicate as a glass bead or a ceramic pellet.
4. Quality Assurance - Records of Quality Assurance activities required by Paragraph 310 of the IAEA regulations<sup>1</sup> shall be maintained and made available to the authorized officials for at least three years after the last shipment authorized by this certificate. Consignors in the United States exporting shipments under this certificate shall satisfy the applicable requirements of Subpart H of 10 CFR 71.
5. Expiration Date - This certificate expires on January 31, 2018.

---

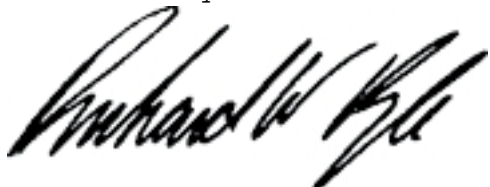
<sup>1</sup> "Regulations for the Safe Transport of Radioactive Material, 1996 Edition (Revised), No. TS-R-1 (ST-1, Revised)," published by the International Atomic Energy Agency (IAEA), Vienna, Austria.

<sup>2</sup> Title 49, Code of Federal Regulations, Parts 100-199, United States of America.

**CERTIFICATE USA/0634/S-96, REVISION 4**


This certificate is issued in accordance with paragraph 804 of the IAEA Regulations and Section 173.476 of Title 49 of the Code of Federal Regulations, in response to the January 07, 2013 petition by QSA Global, Inc., Burlington, MA, and in consideration of other information on file in this Office.

Certified By:

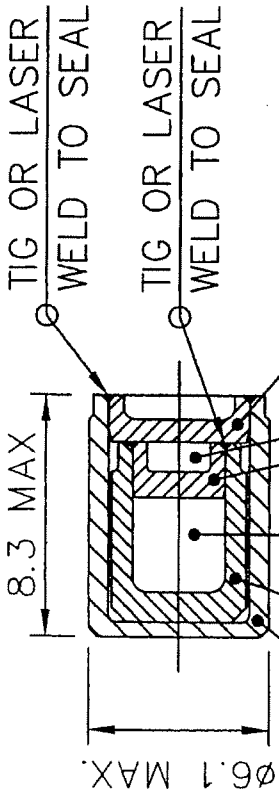


**Jan 24 2013**

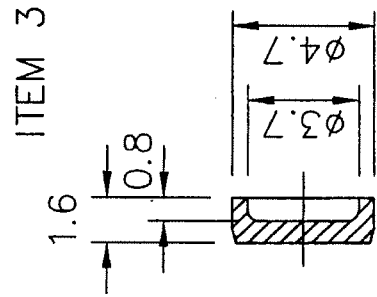
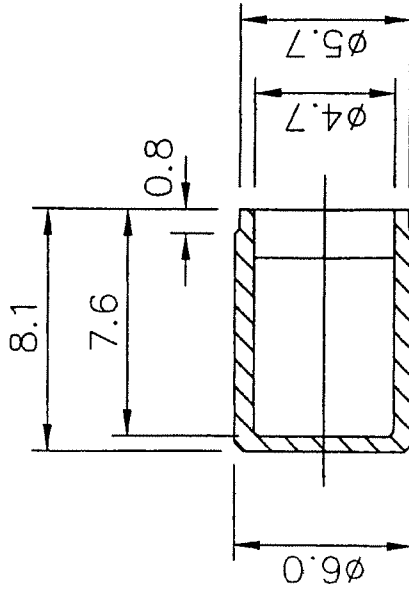
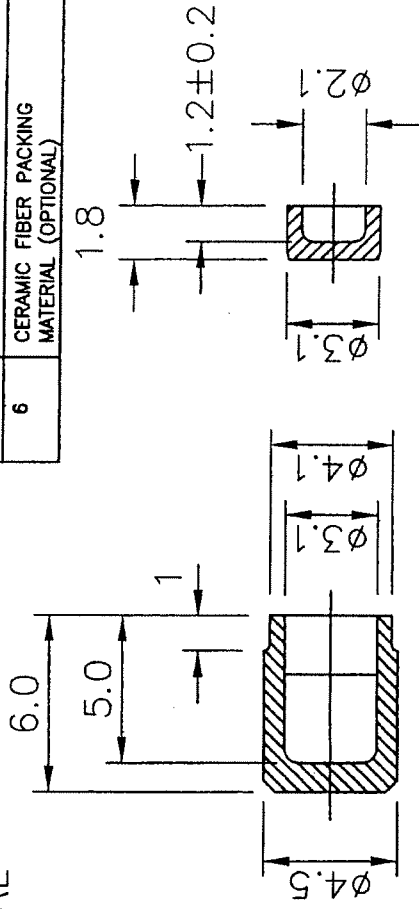
(DATE)

 \_\_\_\_\_  
Dr. Magdy El-Sibaie  
Associate Administrator for Hazardous Materials Safety

Revision 4 - Issued to extend the expiration date.



ITEM No.	DESCRIPTION	QTY.
1	SHEATH BODY STAIN.STL.	1
2	SHEATH LID STAIN.STL.	1
3	CELL BODY STAIN.STL.	1
4	CELL LID STAIN.STL.	1
5	ACTIVE MATERIAL AND CERAMIC FIBER PACKING MATERIAL	AR
6	CERAMIC FIBER PACKING MATERIAL (OPTIONAL)	AR



ITEM 1

ITEM 2

ITEM 3

ITEM 4

APPROVALS	
<i>R. Minn</i>	10003
<i>S. D. ...</i>	10003

DIMENSIONS IN MILLIMETERS  
UNLESS OTHERWISE STATED TOLERANCES:

X ±0.5  
XX ±0.1  
XXX ±0.05  
ANGULAR ±5°

INTERNAL  $\frac{M}{A}$   
EXTERNAL  $\frac{A}{M}$

**AEATECHNOLOGY**  
QSA  
40 NORTH AVE. BURLINGTON, MA 01803

DESCRIPTIVE  
DRAWING

TITLE X8 CAPSULE ASSY

SIZE	DWG. NO.	SHEET 1 OF 1	REV
A	RBA62011	SCALE: NONE	C

ERF # 679



U.S. Department  
of Transportation

East Building, PHH-23  
1200 New Jersey Avenue SE  
Washington, D.C. 20590

**Pipeline and  
Hazardous Materials  
Safety Administration**

**CERTIFICATE NUMBER:** USA/0634/S-96, Revision 4

**ORIGINAL REGISTRANT(S):**

Ms. Lori Podolak  
Product Licensing Specialist  
QSA Global, Inc.  
40 North Avenue  
Burlington, MA 01803

Ms. Cathleen Roughan  
Director, Regulatory Affairs and QA  
QSA Global, Inc.  
40 North Avenue  
Burlington, MA 01803

Mr. Michael Fuller  
Regulatory Compliance Associate  
QSA Global, Inc.  
40 North Avenue  
Burlington, MA 01803

**REGISTERED USER(S):**

Mr. Timothy McLaughlin  
Radiation Safety Officer  
Schlumberger  
300 Schlumberger Drive  
Sugar Land, 77478  
USA

Mr. Steve Browne  
Manager, Radiation Safety  
Troxler Electronic Laboratories  
P.O. Box 12057  
3008 Cornwallis Road  
Research Triangle Park, 27709  
USA

Mr. Damian Rose  
Assistant Radiation Safety Officer  
Troxler Electronic Laboratories  
P.O. Box 12057  
3008 Cornwallis Road  
Research Triangle Park, 27709  
USA

Thomas Bracke  
RSO  
Schlumberger  
Princeton Technology Center  
20 Wallace Road  
Princeton Junction, NJ 08550