



U.S. Department  
of Transportation

Pipeline and  
Hazardous Materials  
Safety Administration

East Building, PHH-23  
1200 New Jersey Ave, SE  
Washington, D.C. 20590

IAEA CERTIFICATE OF COMPETENT AUTHORITY  
SPECIAL FORM RADIOACTIVE MATERIALS

CERTIFICATE USA/0692/S-96, REVISION 3

This certifies that the sources described have been demonstrated to meet the regulatory requirements for special form radioactive material as prescribed in the regulations of the International Atomic Energy Agency<sup>1</sup> and the United States of America<sup>2</sup> for the transport of radioactive material.

1. Source Identification - QSA Global, Inc. Models X2162/1 through X2162/7 (All models manufactured on or after November 23, 1994).
2. Source Description - Cylindrical double encapsulations made of stainless steel and seal welded. Approximate exterior dimensions are 6.3 mm (0.25 in.) in diameter and 24.0 mm (0.94 in.) in length. Minimum wall thickness of the outer encapsulation is 0.48 mm (0.02 in.). Cavity size of the inner encapsulations vary by model. Construction shall be in accordance with attached AEA Technology QSA, Inc. Drawing No. RBA62556, Rev. A.
3. Radioactive Contents - No more than 7.5 TBq (202.7 Ci) of Cobalt-60. The Co-60 is in the form of a metallic solid.
4. Management System Activities - Records of Management System activities required by Paragraph 306 of the IAEA regulations shall be maintained and made available to the authorized officials for at least three years after the last shipment authorized by this certificate. Consignors in the United States exporting shipments under this certificate shall satisfy the requirements of Subpart H of 10 CFR 71.
5. Expiration Date - This certificate expires on May 31, 2024. Previous editions which have not reached their expiration date may continue to be used.

---

<sup>1</sup> "Regulations for the Safe Transport of Radioactive Material, 2012 Edition, No. SSR-6" published by the International Atomic Energy Agency (IAEA), Vienna, Austria.

<sup>2</sup> Title 49, Code of Federal Regulations, Parts 100-199, United States of America.

**CERTIFICATE USA/0692/S-96, REVISION 3**


This certificate is issued in accordance with paragraph(s) 804 of the IAEA Regulations and Section 173.476 of Title 49 of the Code of Federal Regulations, in response to the May 1, 2019 petition by QSA Global, Inc., Burlington, MA, and in consideration of other information on file in this Office.

Certified By:

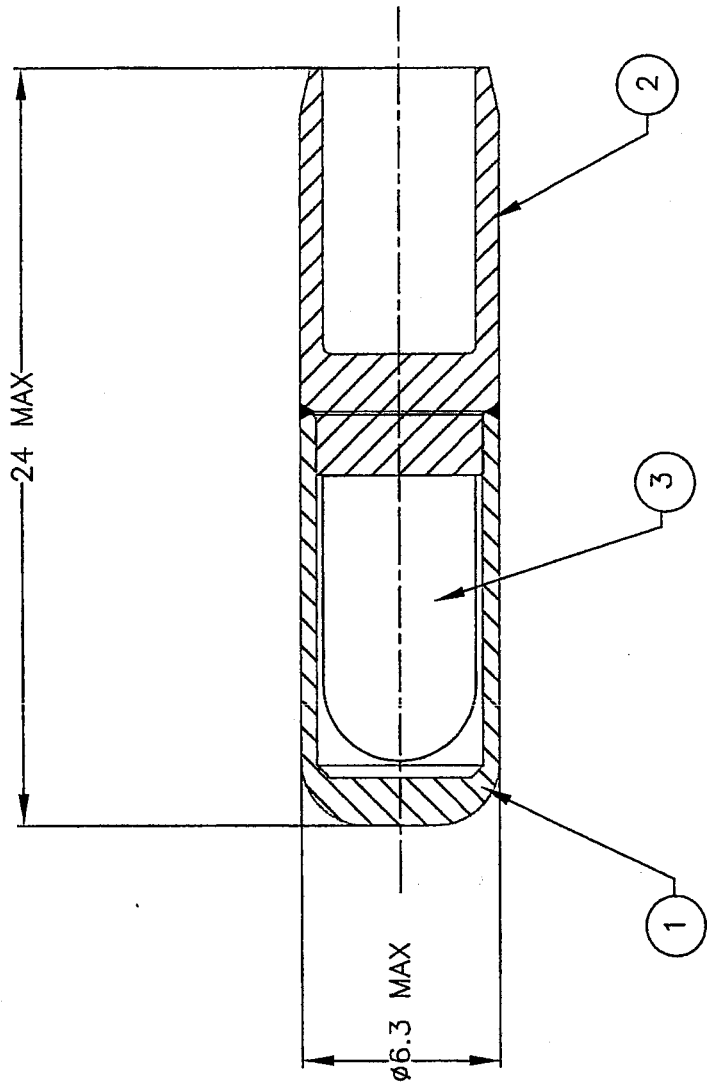


May 17, 2019

(DATE)

 William Schoonover  
Associate Administrator for Hazardous  
Materials Safety

Revision 3 - Issued to extend the expiration date.



NOTE: INNER CAPSULE INTERNAL DIMENSIONS ARE VARIABLE TO PRODUCE THE x2162/n DESIGNATIONS. OUTER DIMENSIONS OF ALL INNER CAPSULES VARIATIONS ARE 5mm DIAMETER BY 9.5mm LONG.

3	INNER CAPSULE ASSY	TITANIUM
2	SHEATH LID	STAIN. STEEL
1	SHEATH BODY	STAIN. STEEL
ITEM #	DESCRIPTION	MATERIAL



APPROVALS	DATE
<i>R. J. Munn</i>	22 Nov 04
<i>R. J. Munn</i>	22 Nov 04

TITLE		X2162/1 THRU 7 CAPSULE
SIZE	DWG. NO.	REV
A	RBA62556	A
SCALE:		SHEET 1 OF 1

UNLESS OTHERWISE SPECIFIED DIMENSIONS IN MILLIMETERS

ERF #	937
-------	-----



U.S. Department of  
Transportation

**Pipeline and  
Hazardous Materials  
Safety Administration**

East Building, PHH-23  
1200 New Jersey Ave, SE  
Washington, D.C. 20590

**CERTIFICATE NUMBER:** USA/0692/S-96

**ORIGINAL REGISTRANT(S) :**

QSA Global, Inc.  
30 North Avenue  
Burlington, MA, 01803  
USA