



U.S. Department
of Transportation

Pipeline and
Hazardous Materials
Safety Administration

East Building, PHH-23
1200 New Jersey Ave, SE
Washington, D.C. 20590

IAEA CERTIFICATE OF COMPETENT AUTHORITY
SPECIAL FORM RADIOACTIVE MATERIALS

CERTIFICATE USA/0708/S-96, REVISION 3

This certifies that the sources described have been demonstrated to meet the regulatory requirements for special form radioactive material as prescribed in the regulations of the International Atomic Energy Agency¹ and the United States of America² for the transport of radioactive material.

1. Source Identification - QSA Global, Inc. Models X11 and X11/1 Capsules (Both models manufactured on or after May 31, 1979).
2. Source Description - Cylindrical single encapsulations made of stainless steel and tungsten inert gas or laser seal welded. Approximate outer dimensions are 11.0 mm (0.43 in.) in diameter and 5.3 mm (0.21 in.) in length. Minimum wall thickness is 0.2 mm (0.008 in.). Construction shall be in accordance with attached AEA Technology QSA, Inc. Drawing No. RBA11089, Rev. A.
3. Radioactive Contents - No more than 11.1 GBq (300.0 mCi) of Americium-241. The Am-241 is in the form of an oxide incorporated into a ceramic enamel.
4. Management System Activities - Records of Management System activities required by Paragraph 306 of the IAEA regulations shall be maintained and made available to the authorized officials for at least three years after the last shipment authorized by this certificate. Consignors in the United States exporting shipments under this certificate shall satisfy the requirements of Subpart H of 10 CFR 71.
5. Expiration Date - This certificate expires on November 30, 2024. Previous editions which have not reached their expiration date may continue to be used.

¹ "Regulations for the Safe Transport of Radioactive Material, 2012 Edition, No. SSR-6" published by the International Atomic Energy Agency (IAEA), Vienna, Austria.

² Title 49, Code of Federal Regulations, Parts 100-199, United States of America.

CERTIFICATE USA/0708/S-96, REVISION 3

This certificate is issued in accordance with paragraph(s) 804 of the IAEA Regulations and Section 173.476 of Title 49 of the Code of Federal Regulations, in response to the November 1, 2019 petition by QSA Global, Inc., Burlington, MA, and in consideration of other information on file in this Office.

Certified By:



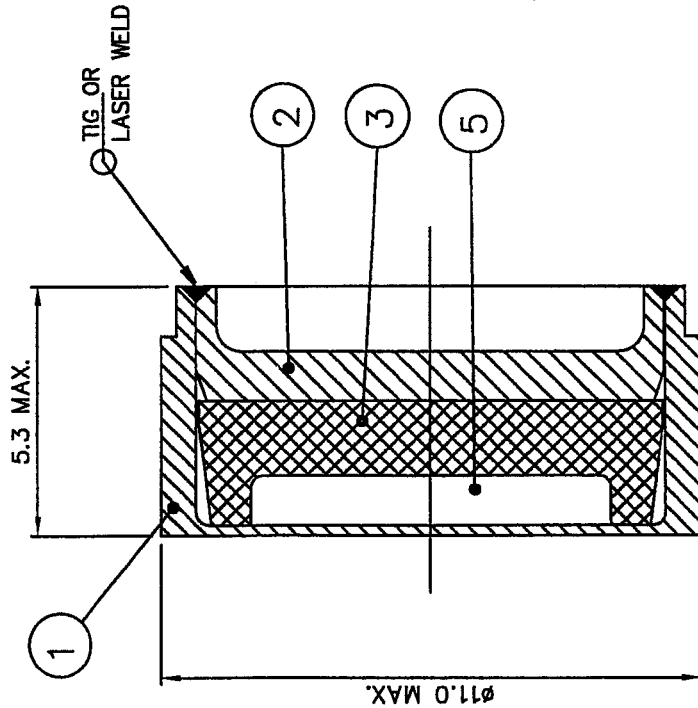
December 09, 2019

(DATE)

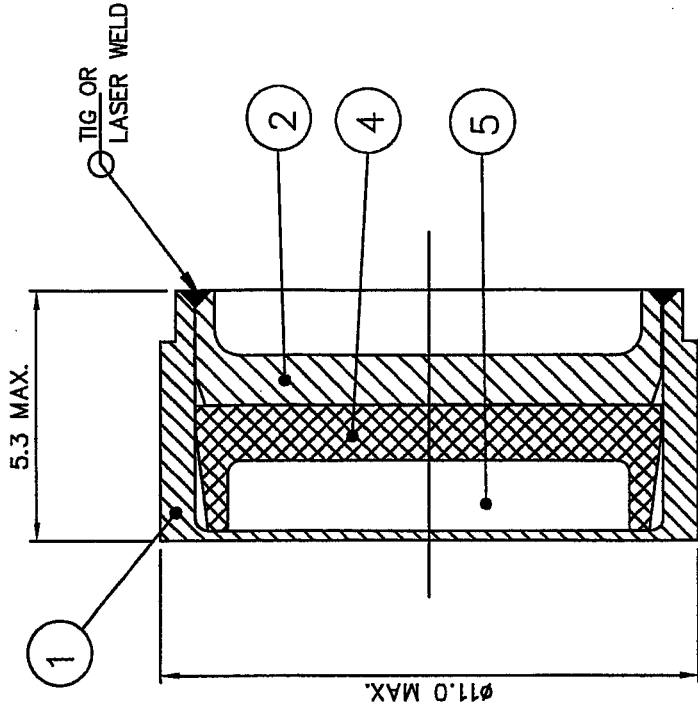
 William Schoonover
Associate Administrator for Hazardous
Materials Safety

Revision 3 - Issued to extend the expiration date.

Item No	Description	No off
1	BODY STAIN.STL.	1
2	LID STAIN.STL.	1
3	X11 INSERT TUNGSTEN ALLOY	1
4	X11/1 INSERT TUNGSTEN ALLOY	1
5	ACTIVE MATERIAL A/R	



X11 CAPSULE ASSEMBLY



X11/1 CAPSULE ASSEMBLY

AEATECHNOLOGY QSA 40 NORTH AVE. BURLINGTON, MA 01803		DESCRIPTIVE DRAWING	
APPROVALS		TITLE X11 AND X11/1 CAPSULE ASSEMBLY	
<i>h. bow</i>	<i>Stalos</i>	SIZE	DWG. NO. RBA11089
<i>J.P. Pablik</i>	<i>J.D. Mays</i>	A	SCALE: NONE
DIMENSIONS IN MILLIMETERS UNLESS OTHERWISE STATED TOLERANCES:			
X.X ±0.5	X.XX ±0.1	SHEET 1 OF 1	
X.XXX ±0.05	ANGULAR ±5°		

ERF # 1054



U.S. Department of
Transportation

**Pipeline and
Hazardous Materials
Safety Administration**

East Building, PHH-23
1200 New Jersey Ave, SE
Washington, D.C. 20590

CERTIFICATE NUMBER: USA/0708/S-96

ORIGINAL REGISTRANT(S) :

QSA Global, Inc.
30 North Avenue
Burlington, MA, 01803
USA

Halliburton
3000 North Sam Houston Parkway, East
Houston, TX, 77032
USA