



U.S. Department  
of Transportation  
**Pipeline and  
Hazardous Materials  
Safety Administration**

**IAEA CERTIFICATE OF COMPETENT AUTHORITY  
SPECIAL FORM RADIOACTIVE MATERIALS  
CERTIFICATE USA/0725/S-96, REVISION 2**

East Building, PHH-23  
1200 New Jersey Avenue Southeast  
Washington, D.C. 20590

This certifies that the source described has been demonstrated to meet the regulatory requirements for special form radioactive material as prescribed in the regulations of the International Atomic Energy Agency<sup>1</sup> and the United States of America<sup>2</sup> for the transport of radioactive material.

1. Source Identification - QSA Global, Inc. Model X1084 (Manufactured on or after January 25, 1984).
2. Source Description - Cylindrical single encapsulation made of stainless steel and tungsten inert gas or laser seal welded. Approximate outer dimensions are 50.3 mm (1.98 in.) in diameter and 21.3 mm (0.84 in.) in length. Minimum wall thickness is 0.25 mm (0.01 in.). Construction shall be in accordance with attached AEA Technology QSA, Inc. Drawing No. RBA61648, Rev. A.
3. Radioactive Contents - No more than 300.0 GBq (8.11 Ci) of Americium-241. The Am-241 is in the form of an oxide incorporated into a ceramic enamel.
4. Quality Assurance - Records of Quality Assurance activities required by Paragraph 310 of the IAEA regulations<sup>1</sup> shall be maintained and made available to the authorized officials for at least three years after the last shipment authorized by this certificate. Consignors in the United States exporting shipments under this certificate shall satisfy the applicable requirements of Subpart H of 10 CFR 71.
5. Expiration Date - This certificate expires on June 30, 2020.

---

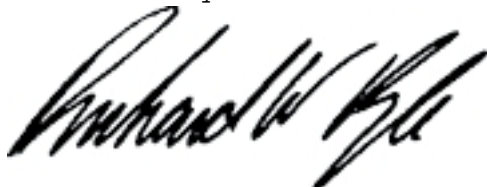
<sup>1</sup> "Regulations for the Safe Transport of Radioactive Material, 1996 Edition (Revised), No. TS-R-1 (ST-1, Revised)," published by the International Atomic Energy Agency (IAEA), Vienna, Austria.

<sup>2</sup> Title 49, Code of Federal Regulations, Parts 100-199, United States of America.

**CERTIFICATE USA/0725/S-96, REVISION 2**


This certificate is issued in accordance with paragraph 804 of the IAEA Regulations and Section 173.476 of Title 49 of the Code of Federal Regulations, in response to the June 10, 2015 petition by QSA Global, Inc., Burlington, MA, and in consideration of other information on file in this Office.

Certified By:



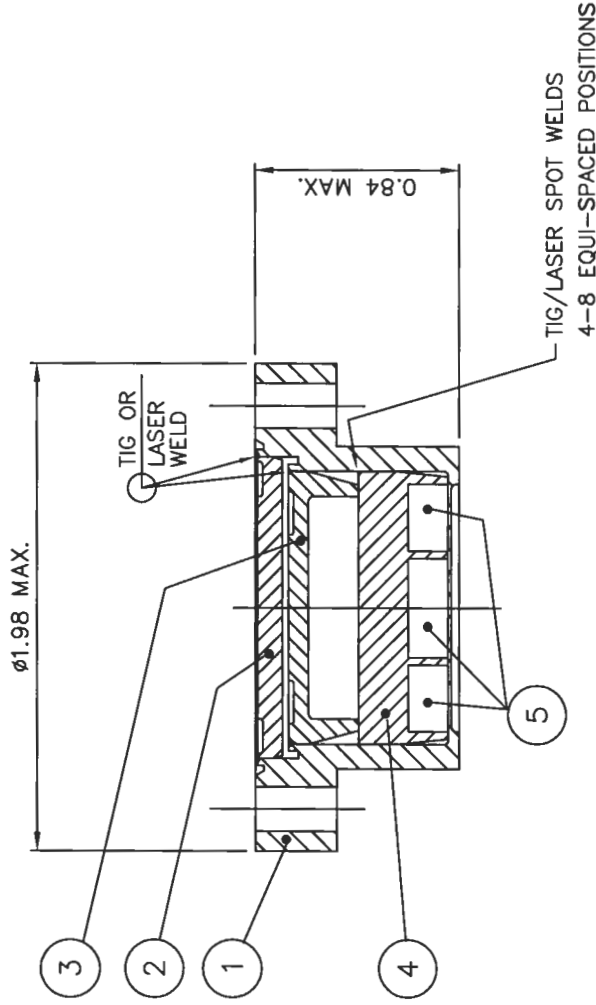
**Jun 24 2015**

(DATE)

 \_\_\_\_\_  
Dr. Magdy El-Sibaie  
Associate Administrator for Hazardous Materials Safety

Revision 2 - Issued to extend the expiration date.

Item	Description	No.off
1	BODY STAIN. STL.	1
2	OUTER LID STAIN. STL.	1
3	INNER LID STAIN. STL.	1
4	INSERT STAIN. STL.	1
5	ACTIVE MATERIAL	A/R



		<b>DESCRIPTIVE DRAWING</b>	
APPROVALS <i>[Signature]</i> 29 Nov 05 <i>[Signature]</i> 30 Nov 05		TITLE X1084 CAPSULE ASSEMBLY	
DIMENSIONS IN INCHES UNLESS OTHERWISE STATED TOLERANCES: X ±0.5 X.X ±0.1 X.XX ±0.05 ANGULAR ±5°		SIZE A	DWG. NO. RBA61648
SCALE: NONE		SHEET 1 OF 1	
ERF # 1201		REV A	

40 NORTH AVE, BURLINGTON, MA 01803



U.S. Department  
of Transportation

East Building, PHH-23  
1200 New Jersey Avenue SE  
Washington, D.C. 20590

**Pipeline and  
Hazardous Materials  
Safety Administration**

**CERTIFICATE NUMBER:** USA/0725/S-96, Revision 2

**ORIGINAL REGISTRANT(S):**

Ms. Lori Podolak  
Manager, Regulatory Affairs/Quality Assurance  
QSA Global, Inc.  
40 North Avenue  
Burlington, MA 01803

Mr. Michael Fuller  
Regulatory Compliance Associate  
QSA Global, Inc.  
40 North Avenue  
Burlington, MA 01803

Ms. Thuquynh Dinh  
Regulatory Affairs/Quality Assurance  
QSA Global, Inc.  
40 North Avenue  
Burlington, MA 01803