



U.S. Department
of Transportation

Pipeline and
Hazardous Materials
Safety Administration

East Building, PHH-23
1200 New Jersey Ave, SE
Washington, D.C. 20590

IAEA CERTIFICATE OF COMPETENT AUTHORITY
SPECIAL FORM RADIOACTIVE MATERIALS

CERTIFICATE USA/0726/S-96, REVISION 4

This certifies that the source described has been demonstrated to meet the regulatory requirements for special form radioactive material as prescribed in the regulations of the International Atomic Energy Agency¹ and the United States of America² for the transport of radioactive material.

1. Source Identification - QSA Global, Inc. Model XN240 (Manufactured on or after February 10, 1971).
2. Source Description - Rectangular single encapsulation made of stainless steel and seal welded. Approximate outer dimensions are 34.93 mm (1.375 in.) in height, 50.01 mm (1.969 in.) in depth, and 114.3 mm (4.5 in.) in length (shutter open or closed) including the attached extension and knob. Minimum wall thickness is 0.13 mm (0.005 in.). Construction shall be in accordance with attached Industrial Dynamics Co., LTD. Drawing Nos. 06110, Rev. 7; and 06110-1, Rev. 4.
3. Radioactive Contents - No more than 3.7 GBq (100.0 mCi) of Americium-241. The Am-241 is in the form of an oxide incorporated into a ceramic enamel.
4. Management System Activities - Records of Management System activities required by Paragraph 306 of the IAEA regulations shall be maintained and made available to the authorized officials for at least three years after the last shipment authorized by this certificate. Consignors in the United States exporting shipments under this certificate shall satisfy the requirements of Subpart H of 10 CFR 71.

¹ "Regulations for the Safe Transport of Radioactive Material, 2012 Edition, No. SSR-6" published by the International Atomic Energy Agency (IAEA), Vienna, Austria.

² Title 49, Code of Federal Regulations, Parts 100-199, United States of America.

CERTIFICATE USA/0726/S-96, REVISION 4


5. Expiration Date - This certificate expires on August 29, 2025. Previous editions which have not reached their expiration date may continue to be used.

This certificate is issued in accordance with paragraph(s) 804 of the IAEA Regulations and Section 173.476 of Title 49 of the Code of Federal Regulations, in response to the July 1, 2020 petition by QSA Global, Inc., Burlington, MA, and in consideration of other information on file in this Office.

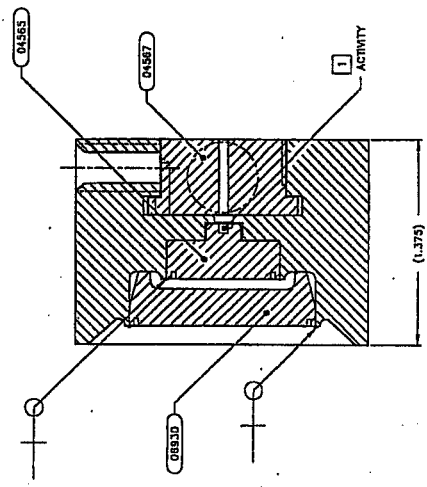
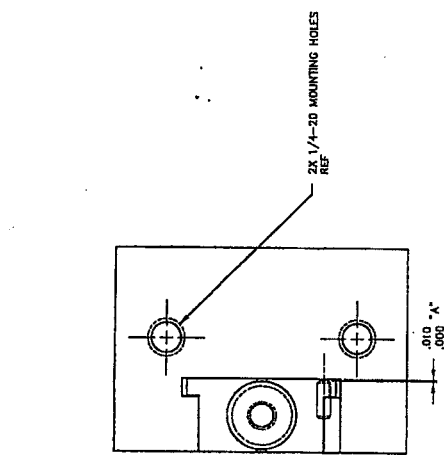
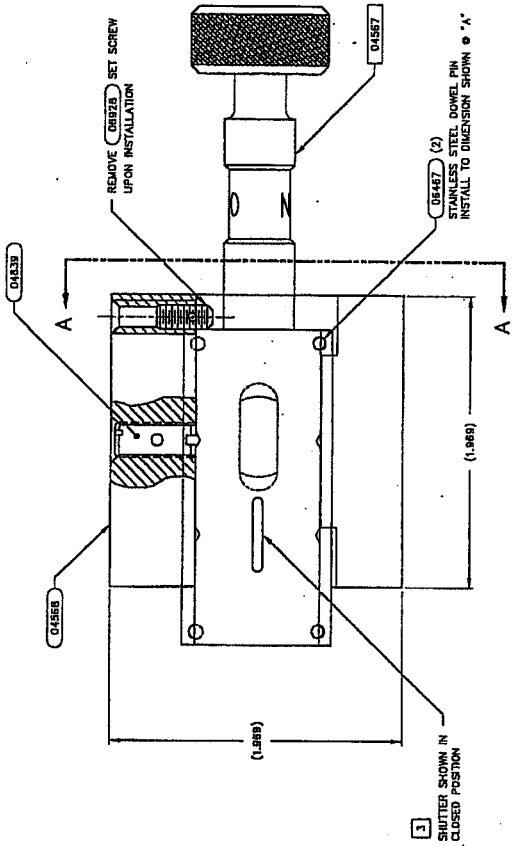
Certified By:



August 05, 2020
(DATE)

 William Schoonover
Associate Administrator for Hazardous
Materials Safety

Revision 4 - Issued to extend the expiration date.



IDC
 CONFIDENTIAL

ITEM NO.	REV.	DATE	DESCRIPTION
			REWORK
INDUSTRIAL DYNAMICS CO., LTD. TORRANCE, CALIFORNIA			
ASSY. SOURCE HOUSING CERAMIC			
DATE	BY	AVAILABLE	
7-15-62			
7-15-62			
NONE			
FT			1
06110			1

4. FOR SHIPPING PURPOSES THE TWO DOWEL PINS (P/N 04567), SHUTTER (P/N 04565) AND SOURCE HOUSING (P/N 04568) MUST BE ASSEMBLED AS SHOWN, SO SHUTTER WILL BE LOCKED IN OPEN POSITION. THE SHUTTER MUST BE CLOSED AND LOCKED DURING SHIPPING PROCESS. THE SET SCREW IS BACKED OUT OR REMOVED UPON INSTALLATION OF SOURCE IN DEVICE.
 5. SHUTTER MAY BE INSTALLED OPPOSITE HAND TO THAT SHOWN.
 6. SOURCE TO BE SENT TO RADIO CHEMICAL CENTER, FOR LOADING AND WELDING.
 7. 100 MILLCURIES AMERICIUM 241 IN CERAMIC FORM.
- NOTES: UNLESS OTHERWISE SPECIFIED



U.S. Department of
Transportation

**Pipeline and
Hazardous Materials
Safety Administration**

East Building, PHH-23
1200 New Jersey Ave, SE
Washington, D.C. 20590

CERTIFICATE NUMBER: USA/0726/S-96

ORIGINAL REGISTRANT(S) :

QSA Global, Inc.
30 North Avenue
Burlington, MA, 01803
USA