



U.S. Department
of Transportation
**Pipeline and
Hazardous Materials
Safety Administration**

**IAEA CERTIFICATE OF COMPETENT AUTHORITY
SPECIAL FORM RADIOACTIVE MATERIALS
CERTIFICATE USA/0736/S-96, REVISION 2**

East Building, PHH-23
1200 New Jersey Avenue Southeast
Washington, D.C. 20590

This certifies that the sources described have been demonstrated to meet the regulatory requirements for special form radioactive material as prescribed in the regulations of the International Atomic Energy Agency¹ and the United States of America² for the transport of radioactive material.

1. Source Identification - QSA Global, Inc. Models X2045 and X2045/1 (Manufactured on or after August 21, 1985).
2. Source Description - Cylindrical double encapsulations with a rectangular extension made of stainless steel and tungsten inert gas or laser seal welded. Approximate outer dimensions of the cylindrical sections are 17.0 mm (0.67 in.) in diameter and 12.4 mm (0.49 in.) in length. Approximate outer dimensions of the rectangular extensions are 38.0 mm (1.5 in.) in height, 19.0 mm (0.75 in.) in width, and 3.6 mm (0.14 in.) in depth. Minimum wall thickness of each encapsulation is 0.5 mm (0.02 in.). Construction shall be in accordance with attached AEA Technology QSA, Inc. Drawing No. RBA61574, Rev. A.
3. Radioactive Contents - No more than 74.0 GBq (2.0 Ci) of Strontium-90. The Sr-90 is in the form of a ceramic enamel.
4. Quality Assurance - Records of Quality Assurance activities required by Paragraph 310 of the IAEA regulations¹ shall be maintained and made available to the authorized officials for at least three years after the last shipment authorized by this certificate. Consignors in the United States exporting shipments under this certificate shall satisfy the applicable requirements of Subpart H of 10 CFR 71.
5. Expiration Date - This certificate expires on January 31, 2021.

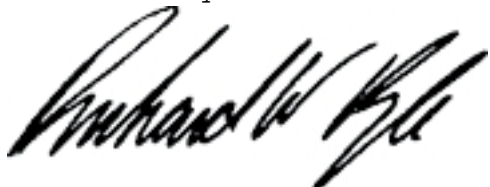
¹ "Regulations for the Safe Transport of Radioactive Material, 1996 Edition (Revised), No. TS-R-1 (ST-1, Revised)," published by the International Atomic Energy Agency (IAEA), Vienna, Austria.

² Title 49, Code of Federal Regulations, Parts 100-199, United States of America.

CERTIFICATE USA/0736/S-96, REVISION 2


This certificate is issued in accordance with paragraph 804 of the IAEA Regulations and Section 173.476 of Title 49 of the Code of Federal Regulations, in response to the January 12, 2016 petition by QSA Global, Inc., Burlington, MA, and in consideration of other information on file in this Office.

Certified By:



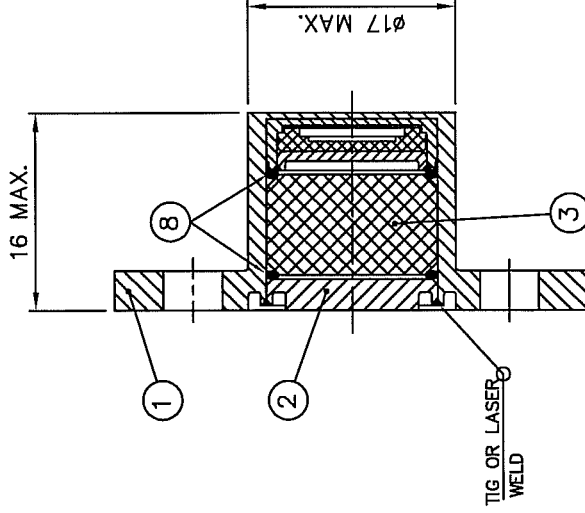
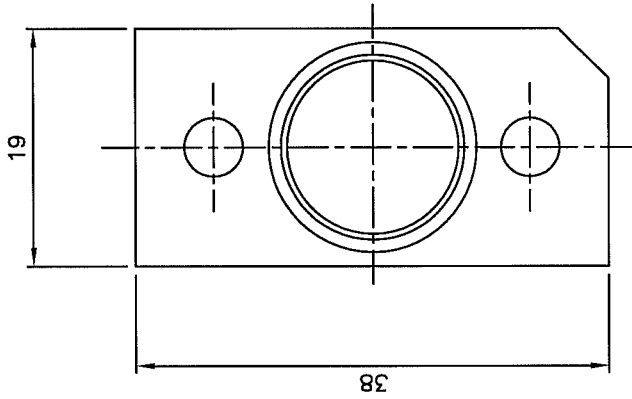
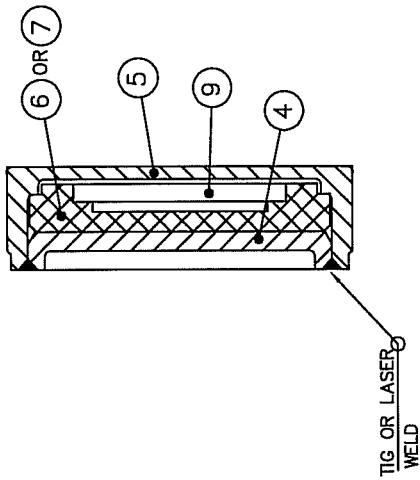
Jan 29 2016

(DATE)

 _____
Dr. Magdy El-Sibaie
Associate Administrator for Hazardous Materials Safety

Revision 2 - Issued to extend the expiration date.

CELL DETAIL
SCALE 2:1



ITEM	DESCRIPTION	No off
1	SHEATH BODY	1
2	SHEATH LID	1
3	PLUG	1
4	CELL LID	1
5	CELL BODY	1
6	INSERT (X2045)	1
7	INSERT (X2045/1 & VZ-2529) PLATINUM	1
8	PACKING RING	2
9	ACTIVE MATERIAL	A/R



40 NORTH AVE, BURLINGTON, MA 01803

DESCRIPTIVE
DRAWING

APPROVALS	
<i>D. Pina</i>	17 Apr '06
<i>L. P. ...</i>	18 Apr '06

DIMENSIONS IN MILLIMETERS
UNLESS OTHERWISE STATED TOLERANCES:

X	±0.5	N7
X.X	±0.12	N9
X.XX	±0.06	N9
ANGULAR	±5°	

TITLE X2045 & X2045/1 (VZ-2529)
CAPSULE ASSEMBLY

SIZE	DWG. NO. RBA61574	REV	A
A	SCALE: NONE	SHEET 1 OF 1	

ERF # 1334



U.S. Department
of Transportation

East Building, PHH-23
1200 New Jersey Avenue SE
Washington, D.C. 20590

**Pipeline and
Hazardous Materials
Safety Administration**

CERTIFICATE NUMBER: USA/0736/S-96, Revision 2

ORIGINAL REGISTRANT(S):

Ms. Lori Podolak
Manager, Regulatory Affairs/Quality Assurance
QSA Global, Inc.
40 North Avenue
Burlington, MA 01803

Mr. Michael Fuller
Regulatory Compliance Associate
QSA Global, Inc.
40 North Avenue
Burlington, MA 01803