



U.S. Department  
of Transportation  
**Pipeline and  
Hazardous Materials  
Safety Administration**

**IAEA CERTIFICATE OF COMPETENT AUTHORITY  
SPECIAL FORM RADIOACTIVE MATERIALS  
CERTIFICATE USA/0750/S-96, REVISION 2**

East Building, PHH-23  
1200 New Jersey Avenue Southeast  
Washington, D.C. 20590

This certifies that the source described has been demonstrated to meet the regulatory requirements for special form radioactive material as prescribed in the regulations of the International Atomic Energy Agency<sup>1</sup> and the United States of America<sup>2</sup> for the transport of radioactive material.

1. Source Identification - Baker Hughes Model INT-5 capsule.
2. Source Description - Cylindrical single encapsulation made of Type 17-4 stainless steel and heliarc seal welded. Approximate outer dimensions are 15.8 mm (0.623 in.) in diameter and 40.6 mm (1.6 in.) in length. Construction shall be in accordance with attached Baker Hughes Drawing No. 10193740, Rev. A.
3. Radioactive Contents - No more than 0.185 TBq (5 Ci) of Americium-241. The Am-241 is in oxide form and mixed with a beryllium powder.
4. Quality Assurance - Records of Quality Assurance activities required by Paragraph 310 of the IAEA regulations<sup>1</sup> shall be maintained and made available to the authorized officials for at least three years after the last shipment authorized by this certificate. Consignors in the United States exporting shipments under this certificate shall satisfy the applicable requirements of Subpart H of 10 CFR 71.
5. Expiration Date - This certificate expires on May 31, 2022.

---

<sup>1</sup> "Regulations for the Safe Transport of Radioactive Material, 1996 Edition (Revised), No. TS-R-1 (ST-1, Revised)," published by the International Atomic Energy Agency(IAEA), Vienna, Austria.

<sup>2</sup> Title 49, Code of Federal Regulations, Parts 100-199, United States of America.

**CERTIFICATE USA/0750/S-96, REVISION 2**

This certificate is issued in accordance with paragraph 804 of the IAEA Regulations and Section 173.476 of Title 49 of the Code of Federal Regulations, in response to the April 28, 2017 petition by Baker Hughes Oilfield Operations, Inc., Houston, TX, and in consideration of other information on file in this Office.

Certified By:



**May 18 2017**

(DATE)

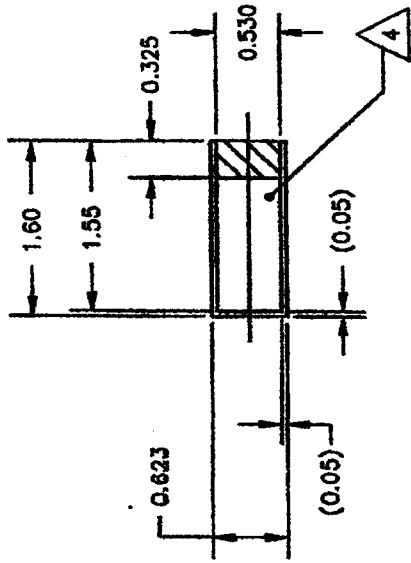
 William Schoonover

Acting Associate Administrator for Hazardous Materials Safety

Revision 2 - Issued to extend the expiration date.

NOTES:

1. MARK PART PER SPECIFICATION 059969-8.
2. MATERIAL: 17-4 PH, HOUSING AND PLUG.  
COND: H1050-H1075
3. DIMENSIONS AND TOLERANCES ARE IN ACCORDANCE WITH ASME Y14.5M-1994.  
△ ACTIVE AREA = 0.270 CUBIC INCHES.
5. CURIE CONTENT: 5 CI AM<sub>241</sub> (+5/-5%).
6. NEUTRON OUTPUT: 1.0E+07 N-SEC TOLERANCE +5/-2%.



REV.	QTY/REV/DESCRIPTION	BY	CHK	APP.	DATE

**DO NOT SCALE THIS PRINT**  
LIMIT VALUES EXCEPT WHERE SHOWN  
AND 0.000  
25 & 31

FINISHES: A 1/4 IN  
B 1/2 IN  
C 1/8 IN  
D 1/16 IN

REMOVE ALL BURRS AND  
SHARP EDGES (AND) R/O  
HOLE CORNERS AND 8 MAX  
DIMENSIONS ARE IN INCHES

**PAUL HUGHES**

**CAPSULE, INNER**  
**5 CI**  
**NEUTRON**

DATE: 03-28-97  
BY: J. WELLS  
CHK: [blank]  
APP: [blank]

REV: 1  
REV: 2  
REV: 3  
REV: 4

WORK NO. 10193740  
REV: 1  
REV: 2  
REV: 3  
REV: 4



U.S. Department  
of Transportation

East Building, PHH-23  
1200 New Jersey Avenue SE  
Washington, D.C. 20590

**Pipeline and  
Hazardous Materials  
Safety Administration**

**CERTIFICATE NUMBER:** USA/0750/S-96, Revision 2

**ORIGINAL REGISTRANT(S):**

Mr. James K. Elrod  
Radiation Safety Officer  
Baker Hughes Oilfield Operations, Inc.  
Houston Technology Center  
2001 Rankin Road  
Houston, TX 77373

Mr. David E. Huber  
Radiation Safety Officer  
Baker Hughes Oilfield Operations, Inc.  
2001 Rankin Road  
Houston, TX 77373

Mr. Dylan Dailey  
Radiation Safety Officer  
Baker Hughes Oilfield Operations, Inc.  
2001 Rankin Road  
Houston, TX 77373

Mr. Philip Simpkin  
Radiation Safety Officer  
Baker Hughes Oilfield Operations, Inc.  
2001 Rankin Road  
Houston, TX 77373