



U.S. Department
of Transportation

Pipeline and
Hazardous Materials
Safety Administration

East Building, PHH-23
1200 New Jersey Ave, SE
Washington, D.C. 20590

IAEA CERTIFICATE OF COMPETENT AUTHORITY
SPECIAL FORM RADIOACTIVE MATERIALS

CERTIFICATE USA/0769/S-96, REVISION 4

This certifies that the sources described have been demonstrated to meet the regulatory requirements for special form radioactive material as prescribed in the regulations of the International Atomic Energy Agency¹ and the United States of America² for the transport of radioactive material.

1. Source Identification - Eckert & Ziegler Isotope Products source capsule Model No. WL Series.
2. Source Description - Cylindrical double encapsulations constructed of 17-4PH stainless steel and fusion seal welded. Approximate outer dimensions are either 25.4 mm (1.0 in.) in diameter and 76.2 mm (3.0 in.) in length (Capsule 4107); or 19.1 mm (0.75 in.) in diameter and 50.8 mm (2.0 in.) in length (Capsule 4164). Construction of Capsule 4107 shall be in accordance with attached Eckert & Ziegler Isotope Products Drawing No. WL-REG-SF, Rev. C, Sheet 1 of 2. Construction of Capsule 4164 shall be in accordance with attached Eckert & Ziegler Isotope Products Drawing No. WL-REG-SF, Rev. C, Sheet 2 of 2.
3. Radioactive Contents - No more than 888 GBq (24 Ci) of Americium-241 (Am:Be). The Am-241 oxide and beryllium powder is in the form of compressed powder pellet in a metal matrix.
4. Management System Activities - Records of Management System activities required by Paragraph 306 of the IAEA regulations shall be maintained and made available to the authorized officials for at least three years after the last shipment authorized by this certificate. Consignors in the United States exporting shipments under this certificate shall satisfy the requirements of Subpart H of 10 CFR 71.

¹ "Regulations for the Safe Transport of Radioactive Material, 2012 Edition, No. SSR-6" published by the International Atomic Energy Agency (IAEA), Vienna, Austria.

² Title 49, Code of Federal Regulations, Parts 100-199, United States of America.

CERTIFICATE USA/0769/S-96, REVISION 4


5. Expiration Date - This certificate expires on December 31, 2023. Previous editions which have not reached their expiration date may continue to be used.

This certificate is issued in accordance with paragraph(s) 804 of the IAEA Regulations and Section 173.476 of Title 49 of the Code of Federal Regulations, in response to the December 11, 2018 petition by Eckert & Ziegler Isotope Products, Valencia, CA, and in consideration of other information on file in this Office.

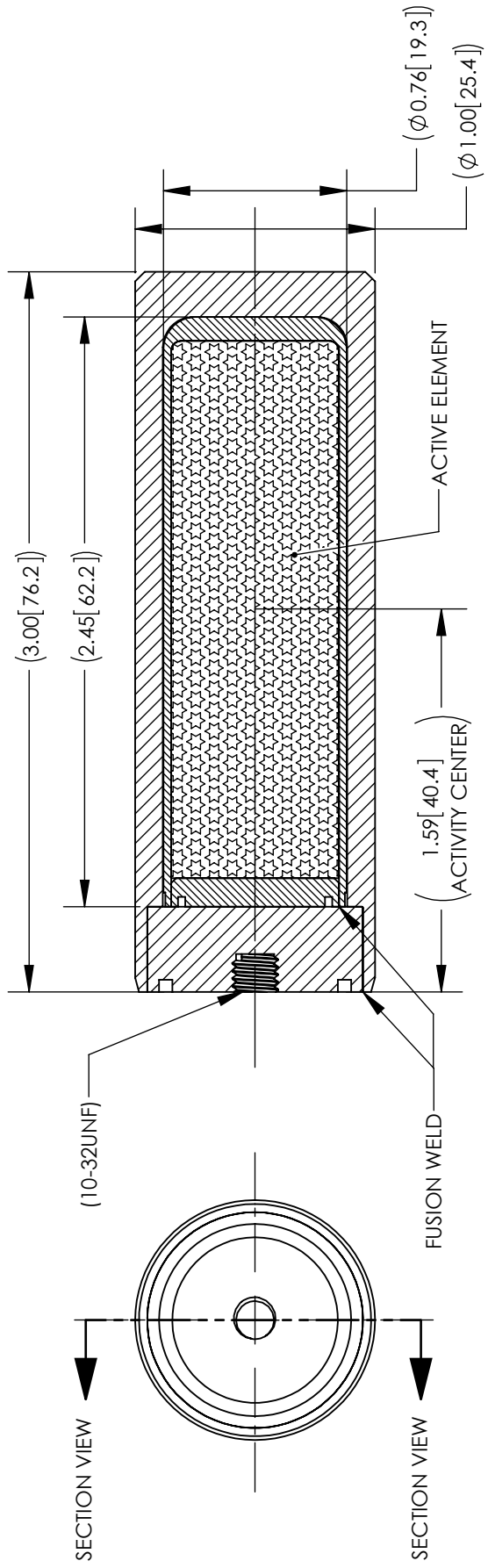
Certified By:



December 20, 2018
(DATE)

 William Schoonover
Associate Administrator for Hazardous
Materials Safety

Revision 4 - Issued to extend the expiration date.





SECTION VIEW

MODEL VIEW

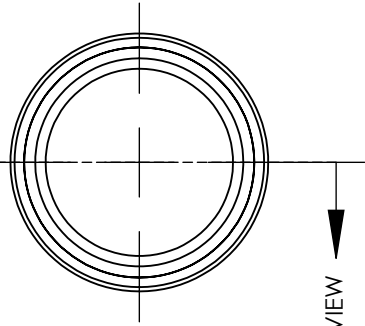
CAPSULE ENGRAVING:
 MANUFACTURER'S NAME OR LOGO
 MODEL NUMBER: WL4107
 NUCLIDE: Am241/Be ACTIVITY
 SERIAL NUMBER: EZZYXXX

ON REVERSE SIDE OF SOURCE (NOT SHOWN):
 (TREFOIL SYMBOL) "DANGER" (TREFOIL SYMBOL),
 "RADIOACTIVE MATERIAL, DO NOT HANDLE,
 NOTIFY CIVIL AUTHORITIES IF FOUND"

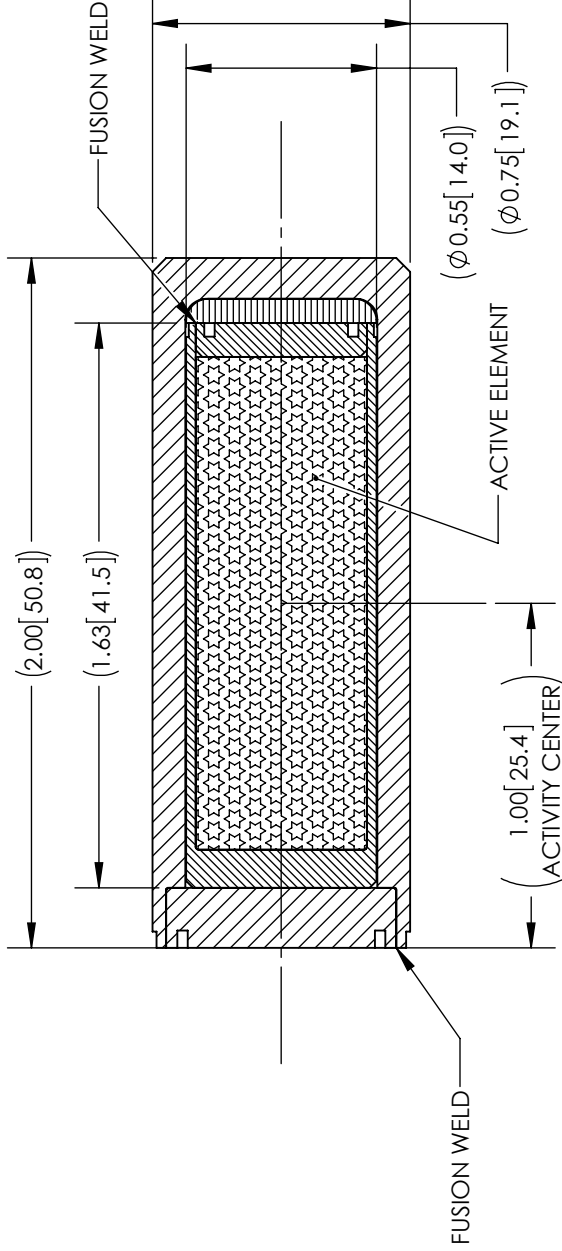
(CAPSULE 4107)

 Eckert & Ziegler Isotope Products VALENCIA, CALIFORNIA 91355	UNLESS OTHERWISE SPECIFIED DIMENSIONS ARE IN INCH-SIZES. METRIC UNITS [mm] ARE IN MILLIMETERS.		DRAWN KP	TITLE MODEL WL SERIES	REV C	SHEET 1 OF 2
	ME/CHECKER JH ENGINEER KP	SERIES TITLE OIL WELL LOGGING (Am-Be GROUP)	SCALE NONE	CAGE CODE 32993	DRAWING NO. WL-REG-SF	REV C
THIRD ANGLE PROJECTION 		SIZE A				
THIS DRAWING IS THE PROPERTY OF ECKERT & ZIEGLER ISOTOPE PRODUCTS AND MAY NOT BE USED, REPRODUCED, PUBLISHED OR DISCLOSED TO OTHERS WITHOUT EXPRESS AUTHORIZATION BY ECKERT & ZIEGLER ISOTOPE PRODUCTS.						

SECTION VIEW



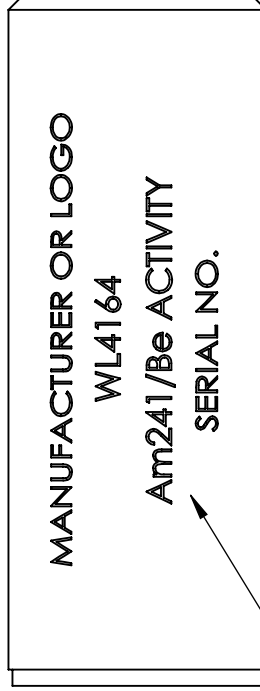
SECTION VIEW



SECTION VIEW

CAPSULE ENGRAVING:
MANUFACTURER'S NAME OR LOGO
MODEL NUMBER: WL4164
NUCLIDE: Am241/Be ACTIVITY
SERIAL NUMBER: EZZYXXX

ON REVERSE SIDE OF SOURCE (NOT SHOWN):
(TREFOIL SYMBOL) "DANGER" (TREFOIL SYMBOL),
"RADIOACTIVE MATERIAL, DO NOT HANDLE,
NOTIFY CIVIL AUTHORITIES IF FOUND"



MODEL VIEW

(CAPSULE 4164)



Eckert & Ziegler
Isotope Products

VALENCIA, CALIFORNIA 91355

THIS DRAWING IS THE PROPERTY OF ECKERT & ZIEGLER ISOTOPE PRODUCTS
AND MAY NOT BE USED, REPRODUCED, PUBLISHED OR DISCLOSED TO OTHERS
WITHOUT EXPRESS AUTHORIZATION BY ECKERT & ZIEGLER ISOTOPE PRODUCTS.

UNLESS OTHERWISE SPECIFIED DIMENSIONS ARE IN INCH-
SIZES. METRIC UNITS [mm] ARE IN MILLIMETERS.



THIRD ANGLE PROJECTION

TITLE

MODEL WL SERIES

SERIES TITLE

OIL WELL LOGGING (Am-Be GROUP)

DRAWN
KP

ME/CHECKER
JH

ENGINEER
KP

SCALE
NONE

SIZE
A

DRAWING NO.

32993

WL-REG-SF

REV

C

SHEET

2 OF 2



U.S. Department of
Transportation

**Pipeline and
Hazardous Materials
Safety Administration**

East Building, PHH-23
1200 New Jersey Ave, SE
Washington, D.C. 20590

CERTIFICATE NUMBER: USA/0769/S-96

ORIGINAL REGISTRANT(S) :

Eckert & Ziegler Isotope Products
24937 Avenue Tibbitts
Valencia, CA, 91355
USA