



U.S. Department
of Transportation
**Pipeline and
Hazardous Materials
Safety Administration**

**IAEA CERTIFICATE OF COMPETENT AUTHORITY
SPECIAL FORM RADIOACTIVE MATERIALS
CERTIFICATE USA/0779/S-96, REVISION 1**

East Building, PHH-23
1200 New Jersey Avenue Southeast
Washington, D.C. 20590

This certifies that the source described has been demonstrated to meet the regulatory requirements for special form radioactive material as prescribed in the regulations of the International Atomic Energy Agency¹ and the United States of America² for the transport of radioactive material.

1. Source Identification - Eckert & Ziegler Isotope Products Model X130/4.
2. Source Description - Cylindrical single encapsulation made of monel, beryllium, and stainless steel that is brazed on one end and tungsten inert gas, electron beam, or laser welded (fusion welded) on the other end. Approximate outer dimensions are 8.1 mm (0.32 in.) in diameter and 5.3 mm (0.21 in.) in length. Minimum wall thickness is 0.5 mm (0.02 in.). Construction shall be in accordance with attached Eckert & Ziegler Isotope Products Drawing No. RBA61909, Rev. A.
3. Radioactive Contents - No more than 11.1 GBq (300 mCi) of an actinide (isotopes of Ac, Th, Pa, Np, U, Pu, Am, and Cm only). The actinides are in the form of an oxide or an oxide incorporated into a ceramic matrix.
4. Quality Assurance - Records of Quality Assurance activities required by Paragraph 310 of the IAEA regulations¹ shall be maintained and made available to the authorized officials for at least three years after the last shipment authorized by this certificate. Consignors in the United States exporting shipments under this certificate shall satisfy the applicable requirements of Subpart H of 10 CFR 71.
5. Expiration Date - This certificate expires on May 31, 2020.

¹ "Regulations for the Safe Transport of Radioactive Material, 1996 Edition (Revised), No. TS-R-1 (ST-1, Revised)," published by the International Atomic Energy Agency (IAEA), Vienna, Austria.

² Title 49, Code of Federal Regulations, Parts 100-199, United States of America.

CERTIFICATE USA/0779/S-96, REVISION 1

This certificate is issued in accordance with paragraph 804 of the IAEA Regulations and Section 173.476 of Title 49 of the Code of Federal Regulations, in response to the May 07, 2015 petition by Eckert & Ziegler Isotope Products, Valencia, CA, and in consideration of other information on file in this Office.

Certified By:



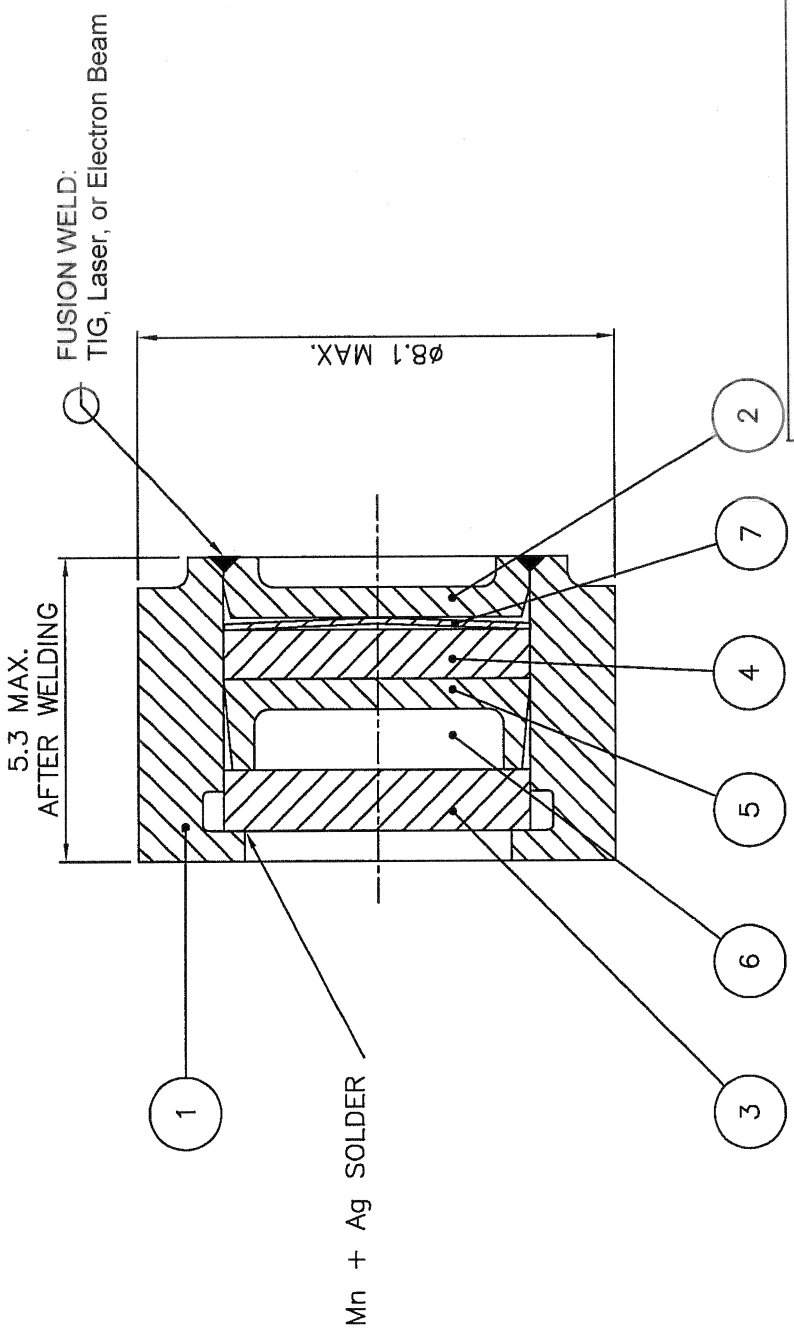
Dr. Magdy El-Sibaie
Associate Administrator for Hazardous Materials Safety

May 21 2015
(DATE)

Revision 1 - Issued to extend the expiration date.

REV.	ERF #	DESCRIPTION	APPROVALS	DATE
A	1258	INITIAL RELEASE	SEE TITLE	BLOCK

Item No.	Description	Material	Qty.
1	BODY	MONEL	1
2	LID	MONEL	1
3	WINDOW	BERYLLIUM	1
4	PLUG	TUNGSTEN	1
5	INSERT	STAIN. STL.	1
6	ACTIVE MATERIAL		-
7	ANTI-RATTLE CAPSULE SPRING	STAIN. SPRING STL.	1



NOTE: DIMENSIONS ARE IN MILLIMETERS.

Eckert & Ziegler
 Isotope Products
 VALENCIA, CALIFORNIA 91355

DESCRIPTIVE DRAWING

TITLE ASSEMBLY OF CAPSULE X130/4

SIZE A DWG. NO. RBA61909 SCALE: NTS SHEET 1 OF 1 REV A

APPROVALS	DATE
<i>P. W...</i>	24 Feb 06
<i>S. P...</i>	1 Mar 06

UNLESS OTHERWISE SPECIFIED DIMENSIONS IN INCHES
 TOLERANCES:
 FRACTIONS ± 1/8
 X.X ± 0.12
 X.XX ± 0.06
 X.XXX ± 0.020

ERF # 1258



U.S. Department
of Transportation

East Building, PHH-23
1200 New Jersey Avenue SE
Washington, D.C. 20590

**Pipeline and
Hazardous Materials
Safety Administration**

CERTIFICATE NUMBER: USA/0779/S-96, Revision 1

ORIGINAL REGISTRANT(S):

Ms. Frida Tan
Regulatory Affairs Manager
Eckert & Ziegler Isotope Products
24937 Avenue Tibbitts
Valencia, 91355
USA