



U.S. Department
of Transportation
**Pipeline and
Hazardous Materials
Safety Administration**

**IAEA CERTIFICATE OF COMPETENT AUTHORITY
SPECIAL FORM RADIOACTIVE MATERIALS
CERTIFICATE USA/0780/S-96, REVISION 1**

East Building, PHH-23
1200 New Jersey Avenue Southeast
Washington, D.C. 20590

This certifies that the source described has been demonstrated to meet the regulatory requirements for special form radioactive material as prescribed in the regulations of the International Atomic Energy Agency¹ and the United States of America² for the transport of radioactive material.

1. Source Identification - Eckert & Ziegler Isotope Products Model X131/4.
2. Source Description - Cylindrical single encapsulation made of monel, beryllium, and stainless steel that is brazed on one end and tungsten inert gas, electron beam, or laser welded (fusion welded) on the other end. Approximate outer dimensions are 10.9 mm (0.43 in.) in diameter and 5.2 mm (0.2 in.) in length. Minimum wall thickness is 0.95 mm (0.004 in.). Construction shall be in accordance with attached Eckert & Ziegler Isotope Products Drawing No. RBA61927, Rev. A.
3. Radioactive Contents - No more than 11.1 GBq (300 mCi) of an actinide (isotopes of Ac, Th, Pa, Np, U, Pu, Am, and Cm only). The actinides are in the form of an oxide or an oxide incorporated into a ceramic matrix.
4. Quality Assurance - Records of Quality Assurance activities required by Paragraph 310 of the IAEA regulations¹ shall be maintained and made available to the authorized officials for at least three years after the last shipment authorized by this certificate. Consignors in the United States exporting shipments under this certificate shall satisfy the applicable requirements of Subpart H of 10 CFR 71.
5. Expiration Date - This certificate expires on May 31, 2020.

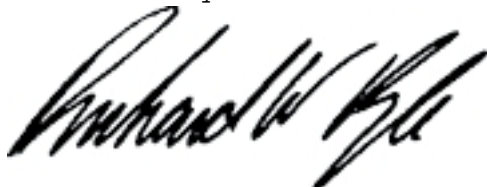
¹ "Regulations for the Safe Transport of Radioactive Material, 1996 Edition (Revised), No. TS-R-1 (ST-1, Revised)," published by the International Atomic Energy Agency(IAEA), Vienna, Austria.

² Title 49, Code of Federal Regulations, Parts 100-199, United States of America.

CERTIFICATE USA/0780/S-96, REVISION 1

This certificate is issued in accordance with paragraph 804 of the IAEA Regulations and Section 173.476 of Title 49 of the Code of Federal Regulations, in response to the May 07, 2015 petition by Eckert & Ziegler Isotope Products, Valencia, CA, and in consideration of other information on file in this Office.

Certified By:



May 18 2015

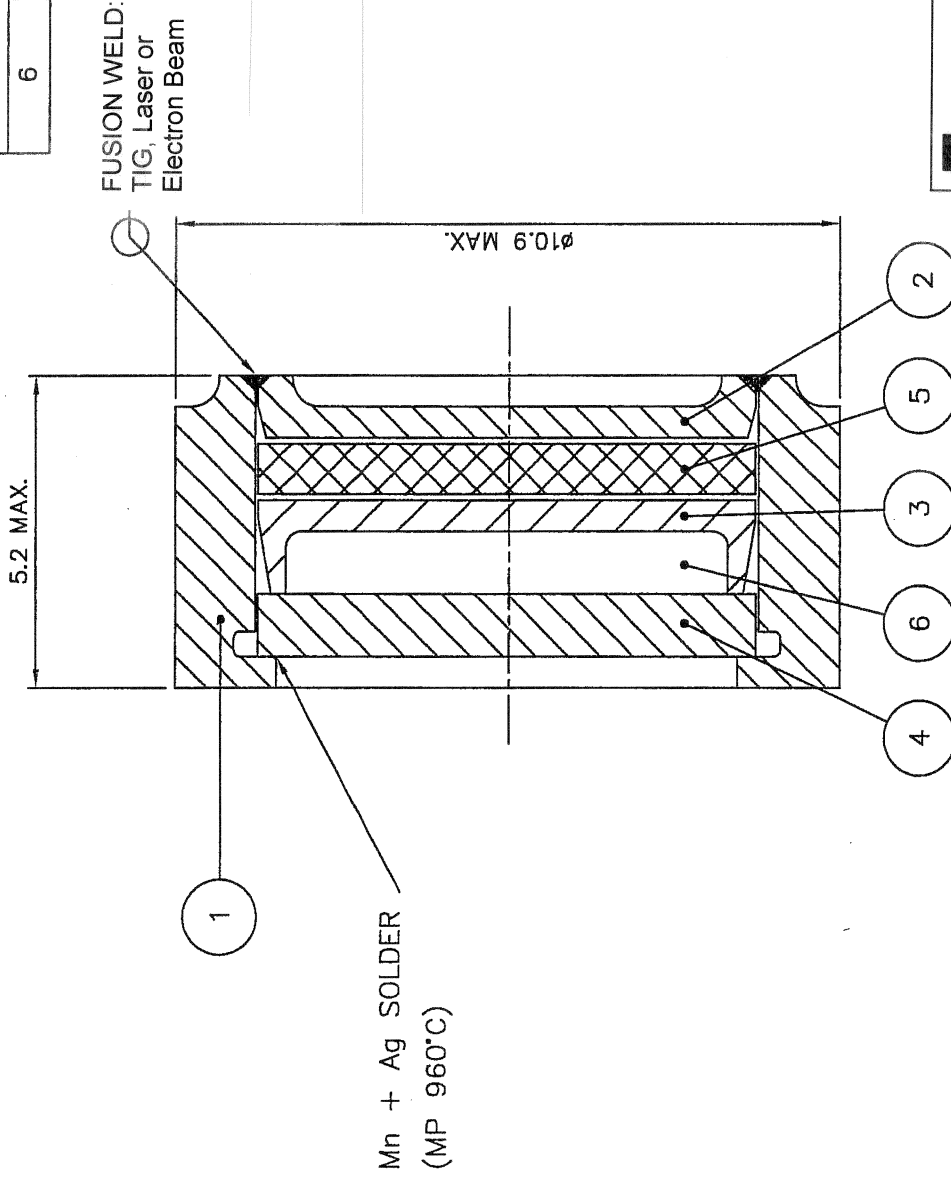
(DATE)

Dr. Magdy El-Sibaie

Associate Administrator for Hazardous Materials Safety

Revision 1 - Issued to extend the expiration date.

Item No.	Description	No. Off
1	BODY	1
2	LID	1
3	INSERT	1
4	WINDOW	1
5	BACKING PLUG	1
6	ACTIVE MATERIAL	A/R



Mn + Ag SOLDER
(MP 960°C)

FUSION WELD:
TIG, Laser or
Electron Beam

Eckert & Ziegler
Isotope Products
VALENCIA, CALIFORNIA 91355

DESCRIPTIVE
DRAWING

TITLE X131/4 CAPSULE ASSEMBLY

SIZE	DWG. NO.	SCALE:	REV
A	RBA61927	NONE	A

APPROVALS

[Signature] 31 Nov 05
[Signature] 3 Nov 05

DIMENSIONS IN MILLIMETERS
UNLESS OTHERWISE STATED TOLERANCES:

X ±0.5
X.X ±0.1
X.XX ±0.05
ANGULAR ±5°

INTERNAL N/
EXTERNAL N/



U.S. Department
of Transportation

East Building, PHH-23
1200 New Jersey Avenue SE
Washington, D.C. 20590

**Pipeline and
Hazardous Materials
Safety Administration**

CERTIFICATE NUMBER: USA/0780/S-96, Revision 1

ORIGINAL REGISTRANT(S):

Ms. Frida Tan
Regulatory Affairs Manager
Eckert & Ziegler Isotope Products
24937 Avenue Tibbitts
Valencia, 91355
USA