



U.S. Department  
of Transportation

Pipeline and  
Hazardous Materials  
Safety Administration

East Building, PHH-23  
1200 New Jersey Ave, SE  
Washington, D.C. 20590

IAEA CERTIFICATE OF COMPETENT AUTHORITY  
SPECIAL FORM RADIOACTIVE MATERIALS

CERTIFICATE USA/0789/S-96, REVISION 2

This certifies that the sources described have been demonstrated to meet the regulatory requirements for special form radioactive material as prescribed in the regulations of the International Atomic Energy Agency<sup>1</sup> and the United States of America<sup>2</sup> for the transport of radioactive material.

1. Source Identification - QSA Global, Inc. Models X9092/1, X9092/2 and X9092/3.
2. Source Description - Cylindrical triple encapsulations made of stainless steel and seal welded. Approximate outer dimensions are 14.5 mm (0.57 in.) in diameter and 21.1 mm (0.83 in.) in length. Construction shall be in accordance with attached QSA Global, Inc. Drawing No. RB00324, Rev, A.
3. Radioactive Contents - No more than 185 GBq (5 Ci) of Cesium-137. The Cs-137 is a solid in the form of a cesium in a silicate glass matrix, sulfate pellet, compressed anhydrous chloride pellet, or aluminosilicate ceramic pellet.
4. Management System Activities - Records of Management System activities required by Paragraph 306 of the IAEA regulations shall be maintained and made available to the authorized officials for at least three years after the last shipment authorized by this certificate. Consignors in the United States exporting shipments under this certificate shall satisfy the requirements of Subpart H of 10 CFR 71.
5. Expiration Date - This certificate expires on August 31, 2026. Previous editions which have not reached their expiration date may continue to be used.

---

<sup>1</sup> "Regulations for the Safe Transport of Radioactive Material, 2012 Edition, No. SSR-6" published by the International Atomic Energy Agency (IAEA), Vienna, Austria.

<sup>2</sup> Title 49, Code of Federal Regulations, Parts 100-199, United States of America.

**CERTIFICATE USA/0789/S-96, REVISION 2**

This certificate is issued in accordance with paragraph(s) 804 of the IAEA Regulations and Section 173.476 of Title 49 of the Code of Federal Regulations, in response to the August 2, 2021 petition by QSA Global, Inc., Burlington, MA, and in consideration of other information on file in this Office.

Certified By:

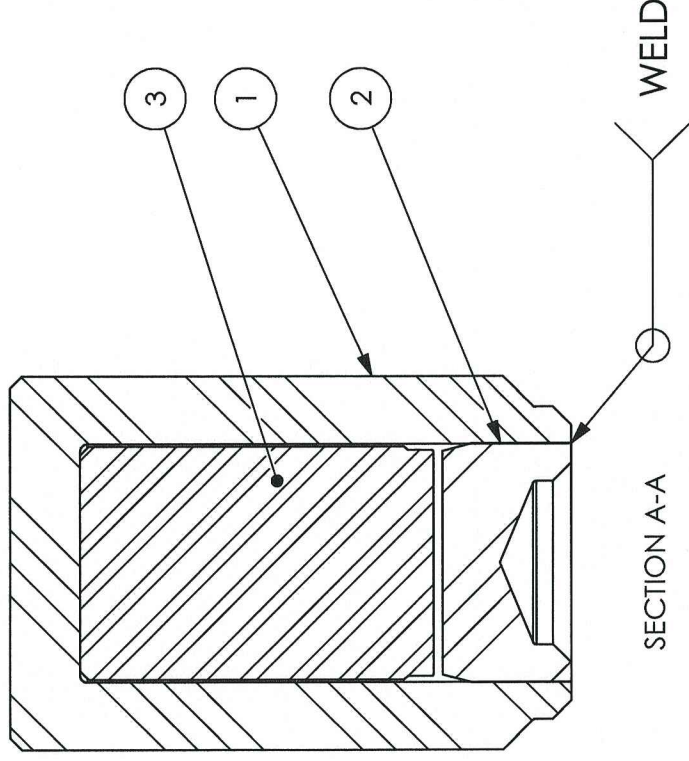
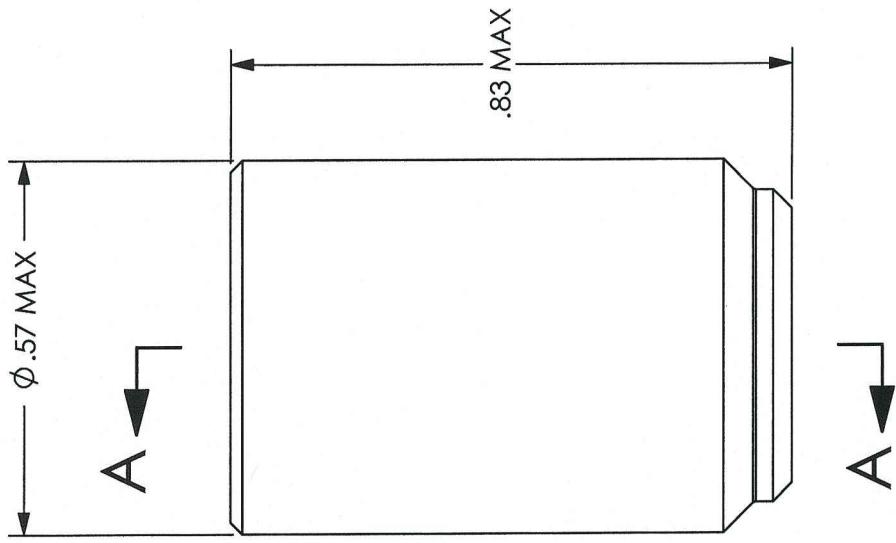


August 26, 2021

(DATE)

 William Schoonover  
Associate Administrator for Hazardous  
Materials Safety

Revision 2 - Issued to extend the expiration date.



**TABLE 1 - CAPSULE CONFIGURATIONS/MATERIALS**

FINAL CAPSULE CONFIGURATION	CAPSULE(S) MATERIAL
X9092/1 VERSION 1 - TRIPLE ENCAPSULATION	NICKEL ALLOY UNS N06230 (OUTER) 316L SS 316L SS
X9092/2 VERSION 2 - TRIPLE ENCAPSULATION	NICKEL ALLOY UNS N06230 (OUTER) 316L SS 316L SS
X9092/3 VERSION 3 - TRIPLE ENCAPSULATION	NICKEL ALLOY UNS N06230 (OUTER) 316L SS 316L SS 300 SERIES (SS) SPACER

ERF #	APPROVALS	DATE
2674	<i>M. Moore</i>	21 Dec 11
	<i>D. W.</i>	21 Dec 11

3	1	SEALED SOURCE - SEE TABLE 1
2	1	LID, X9092/n
1	1	BODY, X9092/n
ITEM	QTY	TITLE

UNLESS OTHERWISE SPECIFIED:

ALL DIMENSIONS ARE INCHES, TOLERANCE  $\pm 1/16$



**DESCRIPTIVE  
DRAWING**

40 NORTH AVE, BURLINGTON, MA 01803

TITLE SOURCE ASSEMBLY, X9092/n

SIZE	DWG. NO.	REV
B	RB00324	A
SCALE: 4:1		SHEET 1 OF 1



U.S. Department of  
Transportation

**Pipeline and  
Hazardous Materials  
Safety Administration**

East Building, PHH-23  
1200 New Jersey Ave, SE  
Washington, D.C. 20590

**CERTIFICATE NUMBER:** USA/0789/S-96

**ORIGINAL REGISTRANT(S) :**

QSA Global, Inc.  
30 North Avenue  
Burlington, MA, 01803  
USA