



U.S. Department  
of Transportation

Pipeline and  
Hazardous Materials  
Safety Administration

East Building, PHH-23  
1200 New Jersey Ave, SE  
Washington, D.C. 20590

IAEA CERTIFICATE OF COMPETENT AUTHORITY  
SPECIAL FORM RADIOACTIVE MATERIALS

CERTIFICATE USA/0817/S-96, REVISION 3

This certifies that the source described has been demonstrated to meet the regulatory requirements for special form radioactive material as prescribed in the regulations of the International Atomic Energy Agency<sup>1</sup> and the United States of America<sup>2</sup> for the transport of radioactive material.

1. Source Identification - ORNL Pu ZipCan.
2. Source Description - An equilateral triangle shaped single encapsulation made of a titanium inner container and a stainless steel outer encapsulation that is tungsten inert gas seal welded. Approximate exterior dimensions are 57 mm (2.24 in.) on each edge and 11 mm (0.43 in.) thick. Construction shall be in accordance with attached ORNL Drawing No. SK-NMP-2015121-01, Rev. 0.
3. Radioactive Contents - No more than 127 GBq (3.42 Ci) of Plutonium-238, 4.62 GBq (125 mCi) of Plutonium-239, 16.9 GBq (456 mCi) of Plutonium-240, 764 GBq (20.6 Ci) of Plutonium-241, 302 MBq (8.16 mCi) of Plutonium-242, and 13.5 kBq (364 nCi) of Plutonium-244. The Pu-238, Pu-239, Pu-240, Pu-241, Pu-242, and Pu-244 are in solid oxide form and are embedded in zirconium felt. The sum of the mass fractions must be no more than 2.01 grams.
4. Management System Activities - Records of Management System activities required by Paragraph 306 of the IAEA regulations shall be maintained and made available to the authorized officials for at least three years after the last shipment authorized by this certificate. Consignors in the United States exporting shipments under this certificate shall satisfy the requirements of Subpart H of 10 CFR 71.

---

<sup>1</sup> "Regulations for the Safe Transport of Radioactive Material, 2012 Edition, No. SSR-6" published by the International Atomic Energy Agency (IAEA), Vienna, Austria.

<sup>2</sup> Title 49, Code of Federal Regulations, Parts 100-199, United States of America.

**CERTIFICATE USA/0817/S-96, REVISION 3**

5. Expiration Date - This certificate expires on March 31, 2027. Previous editions which have not reached their expiration date may continue to be used.

This certificate is issued in accordance with paragraph(s) 804 of the IAEA Regulations and Section 173.476 of Title 49 of the Code of Federal Regulations, in response to the February 3, 2022 petition by Department of Energy, Washington, DC, and in consideration of other information on file in this Office.

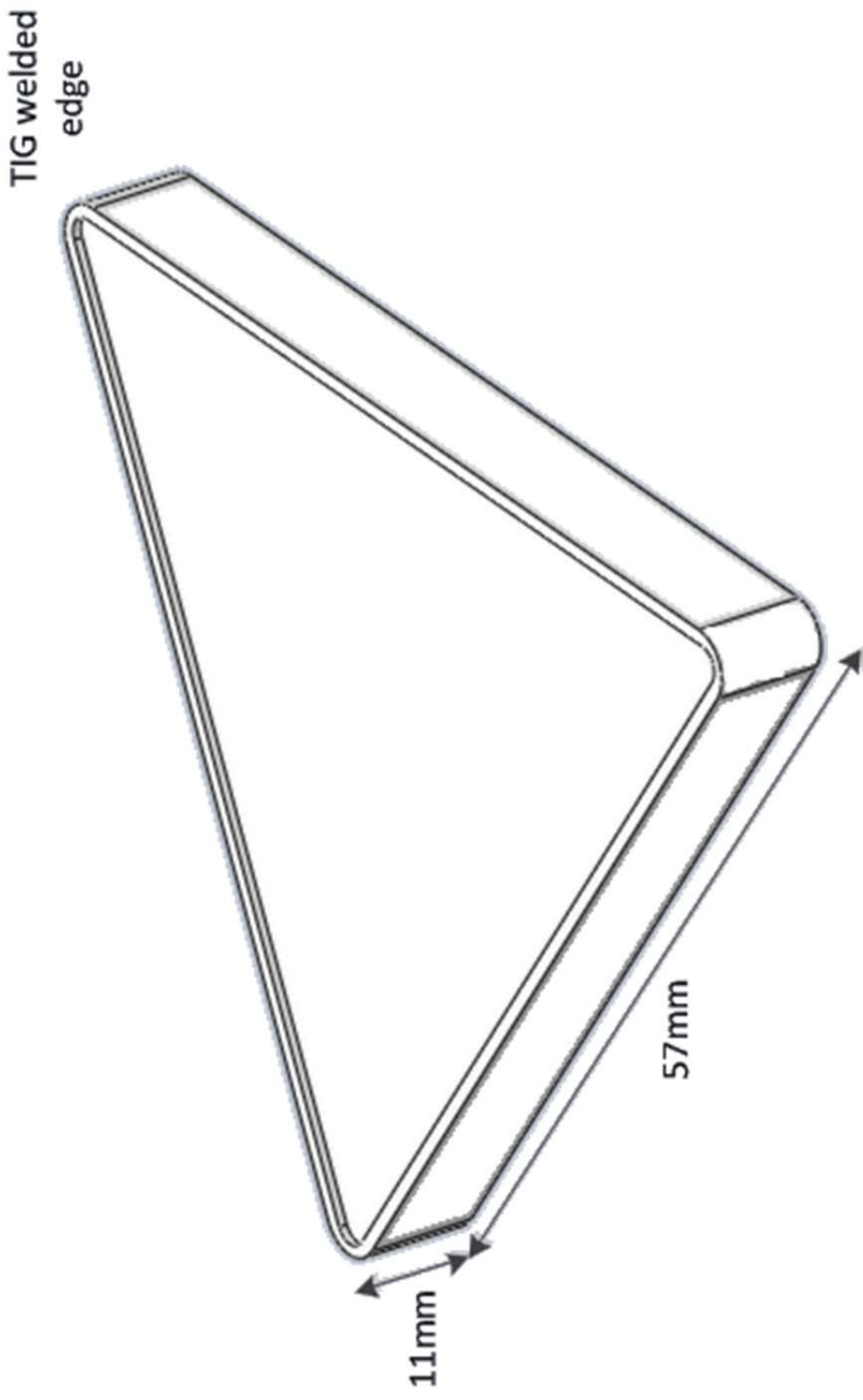
Certified By:



March 07, 2022  
(DATE)

 William Schoonover  
Associate Administrator for Hazardous  
Materials Safety

Revision 3 - Issued to extend the expiration date and modify the mass limits for Pu-238 and Pu-241 (no increase to overall Pu content).



Name: ORNL Pu ZipCan  
ORNL Drawing: SK-NMP-2015121-01 , Rev. 0



U.S. Department of  
Transportation

**Pipeline and  
Hazardous Materials  
Safety Administration**

East Building, PHH-23  
1200 New Jersey Ave, SE  
Washington, D.C. 20590

**CERTIFICATE NUMBER:** USA/0817/S-96

**ORIGINAL REGISTRANT(S) :**

Department of Energy  
U.S. Department of Energy  
1000 Independence Ave, SW  
EM-60  
Washington, DC, 20585  
USA